

# Silicone Rubber Transfer Printing Pads

**Catalog**

*Complete Pad Printing Solutions*



*Standard In-Stock Pads*

**Notes on Ordering Printing Pads:**

The pads shown in this catalog represent only the most popular shapes and sizes in the ITW Trans Tech line. They are all standard, in-stock items. Many others are available on request as special order pads. Contact your ITW Trans Tech consumables representative for further details and recommendations. *To view any pad listed below, click on the pad number.*

**INDEX**

Pad Shape	Mold Number	Page
ROUND .....	P-266 .....	4
ROUND .....	P-271 .....	4
ROUND .....	P-277 .....	4
ROUND .....	P-405 .....	4
ROUND .....	P-406 .....	4
ROUND .....	P-440 .....	4
ROUND .....	P-464 .....	5
ROUND .....	P-469 .....	5
ROUND .....	P-617 .....	5
ROUND .....	P-664 .....	5
ROUND .....	P-669 .....	5
ROUND .....	P-700 .....	5
ROUND .....	P-719 .....	6
ROUND .....	P-722 .....	6
ROUND .....	S-028 .....	6
ROUND .....	S-035 .....	6
ROUND .....	S-043 .....	6
ROUND .....	S-053 .....	6
ROUND .....	S-055 .....	7
ROUND .....	S-060 .....	7
ROUND .....	S-111 .....	7
ROUND .....	S-116 .....	7
ROUND .....	S-226 .....	7
ROUND .....	S-332 .....	7
ROUND .....	S-367 .....	8
ROUND .....	S-388 .....	8
ROUND .....	S-390 .....	8
ROUND .....	S-394 .....	8

**INDEX**

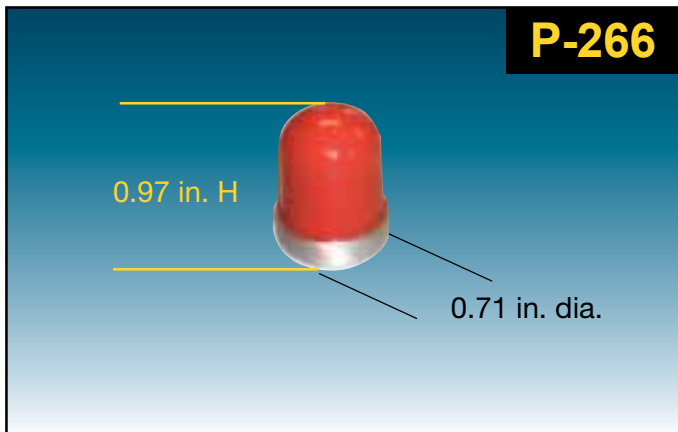
Pad Shape	Mold Number	Page
ROUND .....	S-396 .....	8
ROUND .....	S-410 .....	8
ROUND .....	S-415 .....	9
ROUND .....	S-450 .....	9
ROUND .....	S-643 .....	9
ROUND .....	S-650 .....	9
ROUND .....	U-008 .....	9
ROUND .....	U-009 .....	9
ROUND .....	U-020 .....	10
ROUND .....	U-047 .....	10
ROUND .....	U-072 .....	10
SQUARE .....	P-089 .....	11
SQUARE .....	P-122 .....	11
SQUARE .....	P-324 .....	11
SQUARE .....	P-349 .....	11
SQUARE .....	P-365 .....	11
SQUARE .....	P-379 .....	11
SQUARE .....	P-381 .....	12
SQUARE .....	P-450 .....	12
SQUARE .....	P-467 .....	12
SQUARE .....	P-485 .....	12
SQUARE .....	P-492 .....	12
SQUARE .....	P-646 .....	12
SQUARE .....	S-131 .....	13
SQUARE .....	S-250 .....	13
SQUARE .....	S-318 .....	13
SQUARE .....	S-358 .....	13

**INDEX**

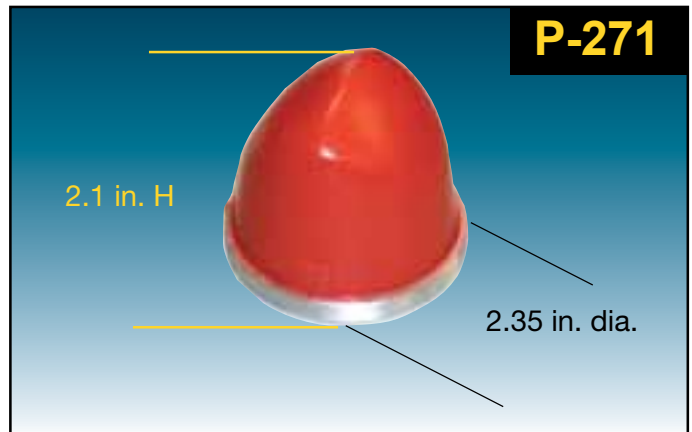
Pad Shape	Mold Number	Page
SQUARE .....	S-366 .....	13
SQUARE .....	S-372 .....	13
SQUARE .....	S-373 .....	14
SQUARE .....	S-374 .....	14
SQUARE .....	S-383 .....	14
SQUARE .....	S-424 .....	14
SQUARE .....	S-648 .....	14
SQUARE .....	U-013 .....	14
SQUARE .....	U-545 .....	15
SQUARE .....	U-1344 .....	15

**INDEX**

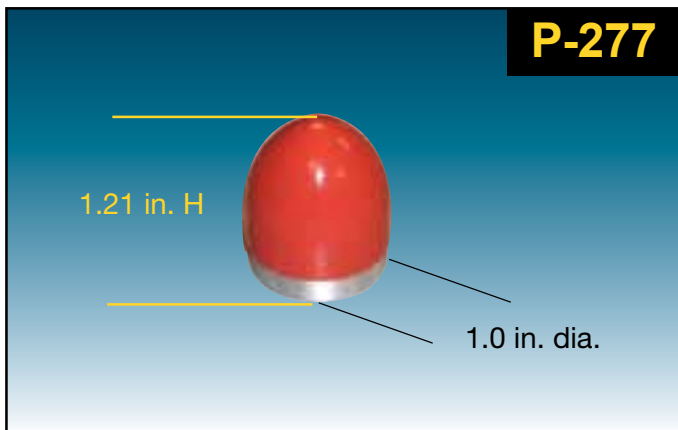
Pad Shape	Mold Number	Page
BAR .....	P-269 .....	16
BAR .....	P-385 .....	16
BAR .....	S-066 .....	16
BAR .....	S-063 .....	16
BAR .....	S-208 .....	16
BAR .....	S-211 .....	16
BAR .....	S-381 .....	17
BAR .....	S-395 .....	17
BAR .....	S-401 .....	17
BAR .....	S-404 .....	17
BAR .....	S-408 .....	17
BAR .....	U-066 .....	17
BAR .....	U-156 .....	18



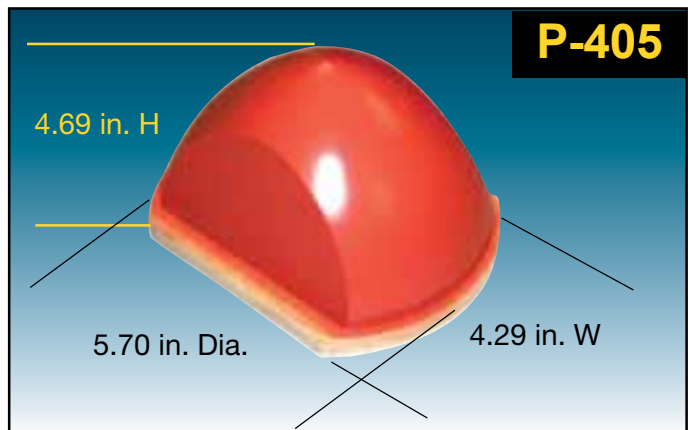
Mold: P-266 Base Alum. Shape: "Round"  
 Base Size: 0.71 in. dia. Total Pad Height: 0.95 in.  
 Mounting Hole: threaded M5



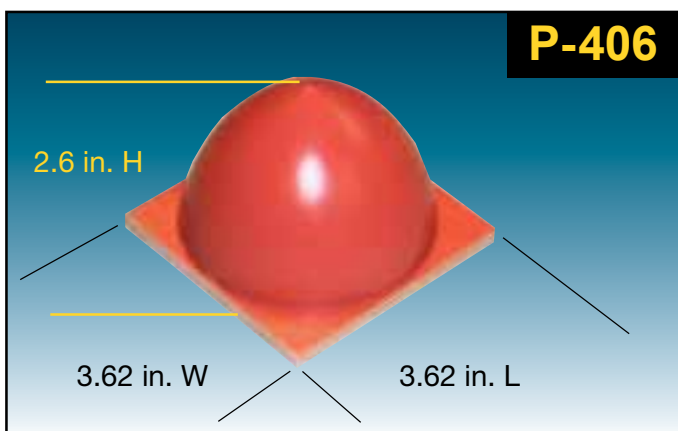
Mold: P-271 Base Alum. Shape: "Round"  
 Base Size: 2.35 in. dia. Total Pad Height: 2.1 in.  
 Mounting Hole: threaded M6



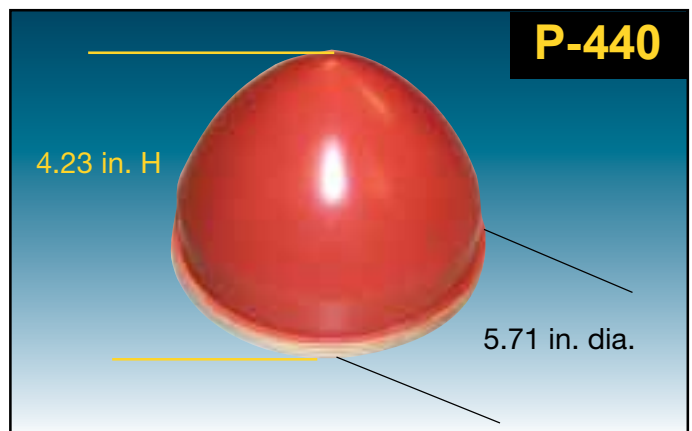
Mold: P-277 Base Alum. Shape: "Round"  
 Base Size: 1.0 in. dia. Total Pad Height: 1.21 in.  
 Mounting Hole: threaded M6



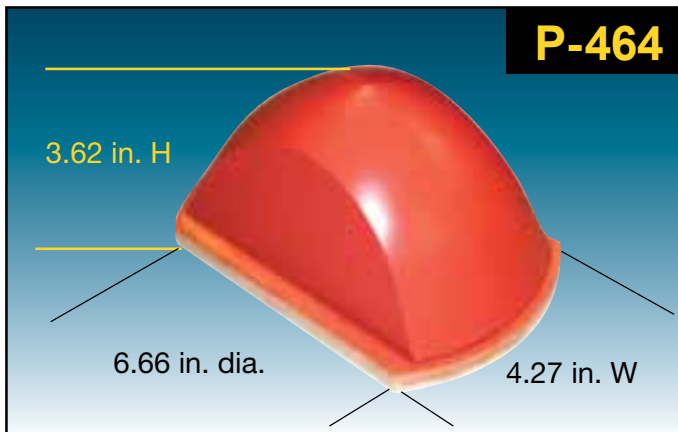
Mold: P-405 Base Ply. Shape: "Round"  
 Base Size: 5.70 D x 4.29 W Total Pad Height: 4.69 in.  
 Mounting Hole: none



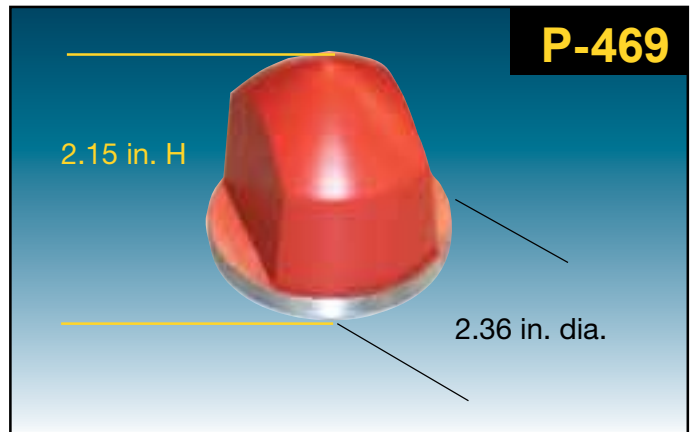
Mold: P406 Base Ply. Shape: "Round"  
 Base Size: 3.62 L x 3.62 W Total Pad Height: 2.6  
 Mounting Hole: none



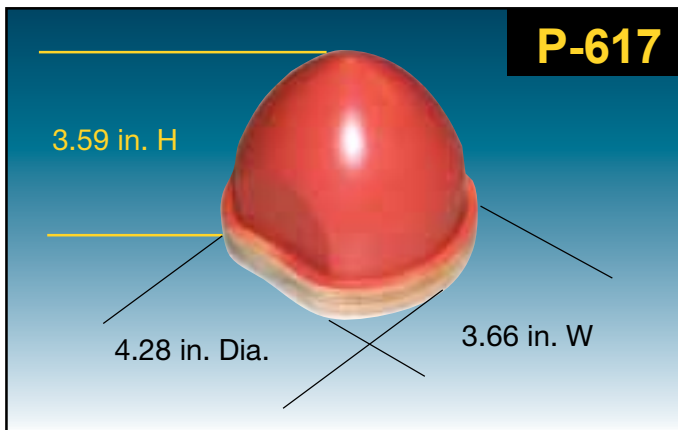
Mold: P-440 Base Ply. Shape: "Round"  
 Base Size: 5.71 in. dia. Total Pad Height: 4.23 in.  
 Mounting Hole: none



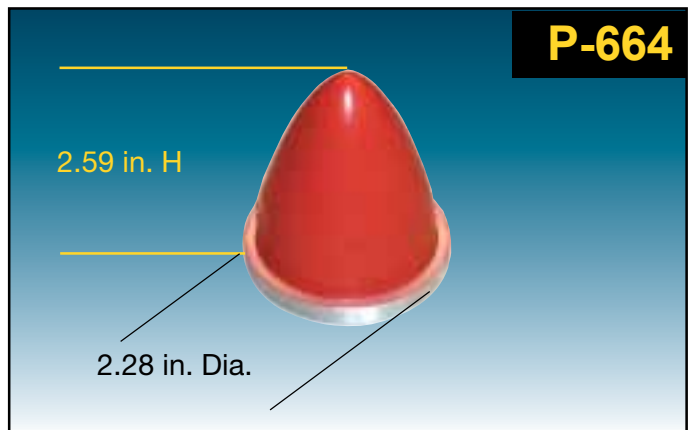
Mold: P-464 Base Ply. Shape: "Round"  
 Base Size: 6.66 D x 4.27 W Total Pad Height: 3.62 in.  
 Mounting Hole: none



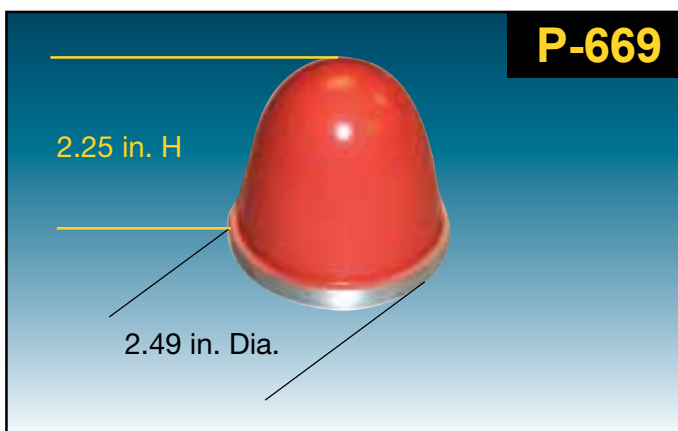
Mold: P-469 Base Alum. Shape: "Round"  
 Base Size: 2.36 in. dia. Total Pad Height: 2.15 in.  
 Mounting Hole: threaded M6



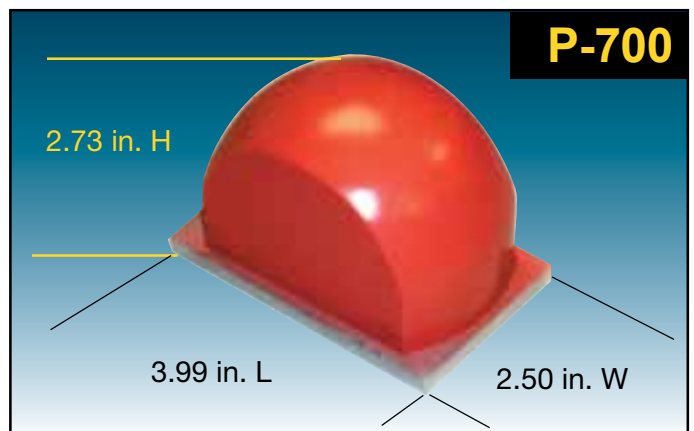
Mold: P-617 Base Ply. Shape: "Round"  
 Base Size: 4.28 in D x 3.66 W Total Pad Height: 3.59 in.  
 Mounting Hole: threaded 3/8-16



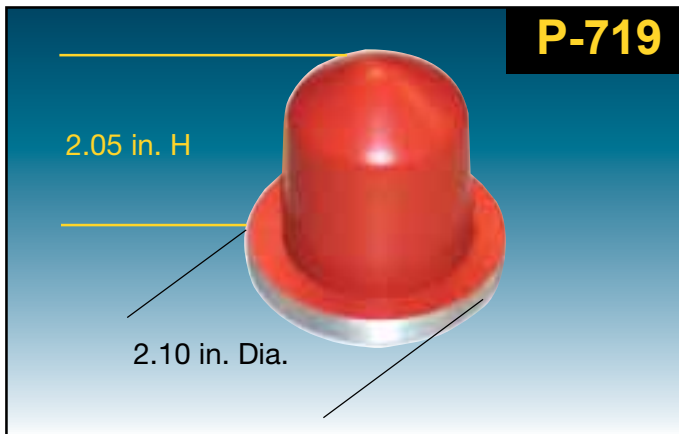
Mold: P-664 Base Alum. Shape: "Round"  
 Base Size: 2.28 in. D Total Pad Height: 2.59 in.  
 Mounting Hole: M6



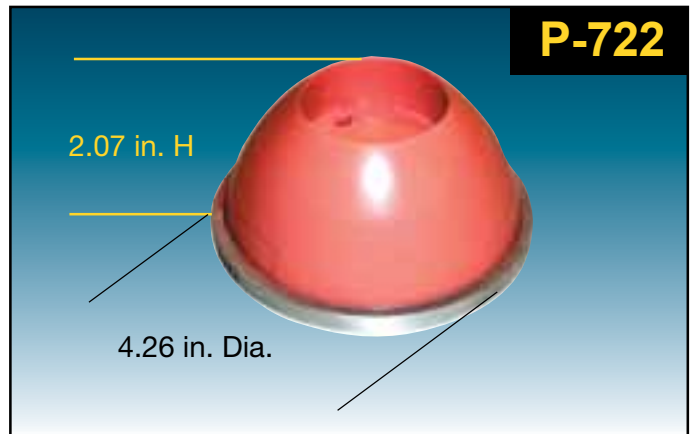
Mold: P-669 Base Alum. Shape: "Round"  
 Base Size: 2.49 in. D Total Pad Height: 2.25 in.  
 Mounting Hole: threaded 1/4-20



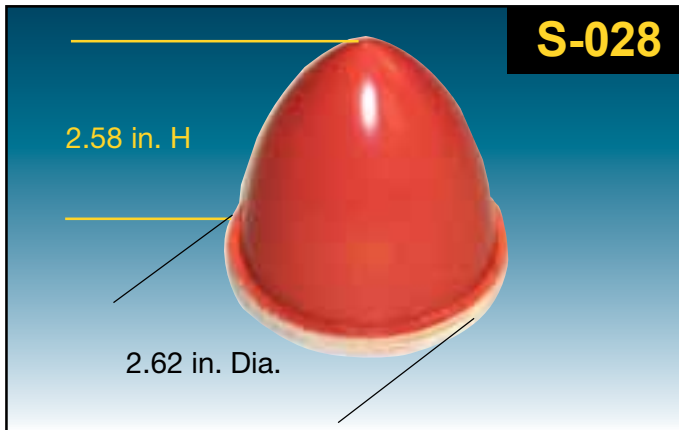
Mold: P-700 Base Alum. Shape: "Round"  
 Base Size: 3.99 L x 2.50 W Total Pad Height: 2.73 in.  
 Mounting Hole: threaded 1/4-20



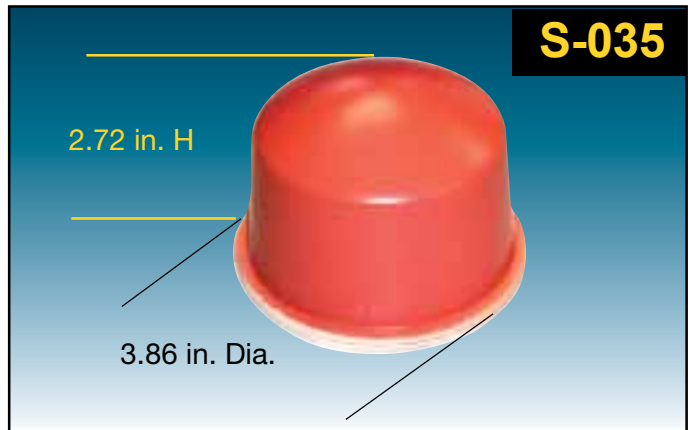
Mold: P-719 Base Alum. Shape: "Round"  
 Base Size: 2.10 in. D Total Pad Height: 2.05 in.  
 Mounting Hole: 6M



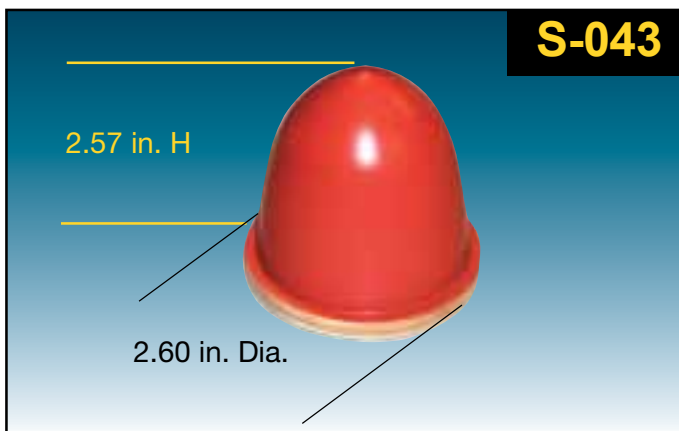
Mold: P-722 Base Alum. Shape: "Round"  
 Base Size: 4.26 in. D Total Pad Height: 2.07 in.  
 Mounting Hole: 3/8-16



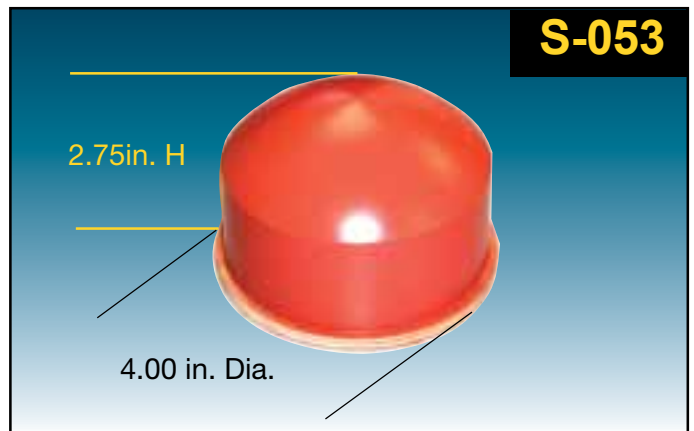
Mold: S-028 Base Ply. Shape: "Round"  
 Base Size: 2.62 in. D Total Pad Height: 2.58 in.  
 Mounting Hole: none



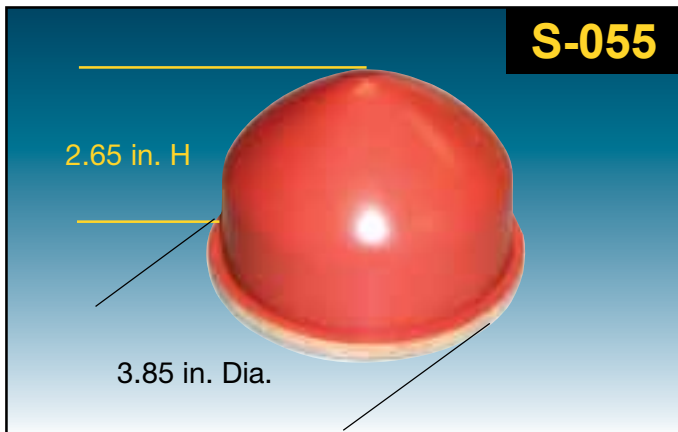
Mold: S-035 Base Ply. Shape: "Round"  
 Base Size: 3.86 in. D Total Pad Height: 2.72 in.  
 Mounting Hole: none



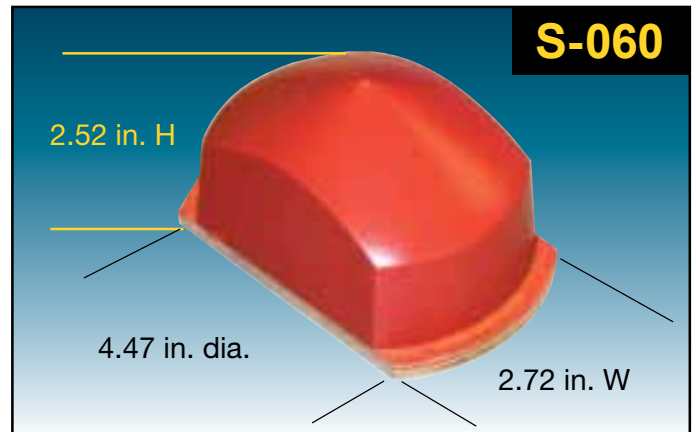
Mold: S-043 Base Ply. Shape: "Round"  
 Base Size: 2.60 in. D Total Pad Height: 2.57 in.  
 Mounting Hole: none



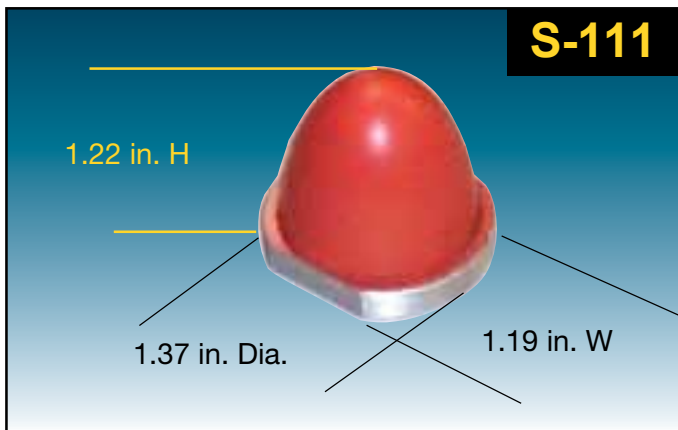
Mold: S-053 Base Ply. Shape: "Round"  
 Base Size: 4.00 in. D Total Pad Height: 2.75 in.  
 Mounting Hole: none



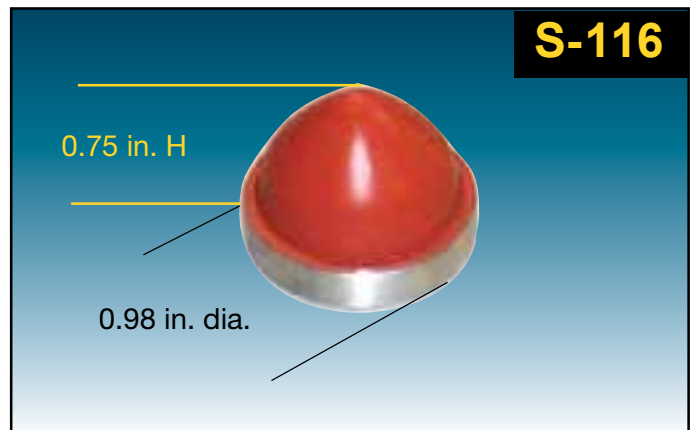
Mold: S-055 Base Ply. Shape: "Round"  
 Base Size: 3.85 in. D Total Pad Height: 2.65 in.  
 Mounting Hole: none



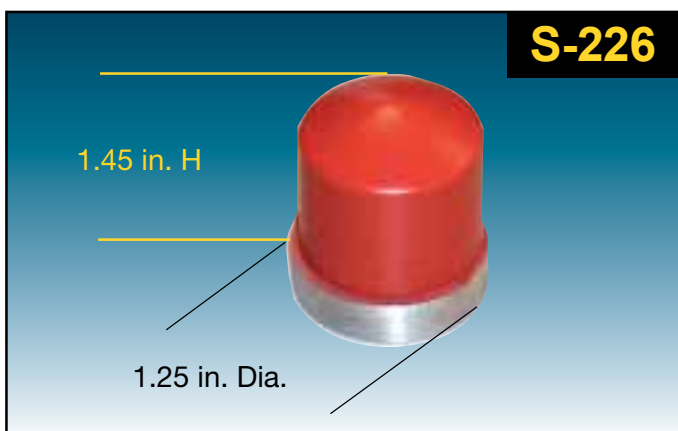
Mold: S-060 Base Ply. Shape: "Round"  
 Base Size: 4.47 D x 2.72 W Total Pad Height: 2.52 in.  
 Mounting Hole: none



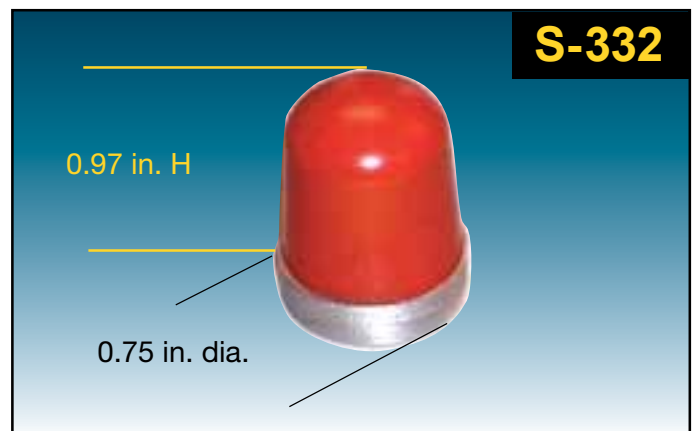
Mold: S-111 Base Alum. Shape: "Round"  
 Base Size: 1.37 D x 1.19 W Total Pad Height: 1.22 in.  
 Mounting Hole: M6



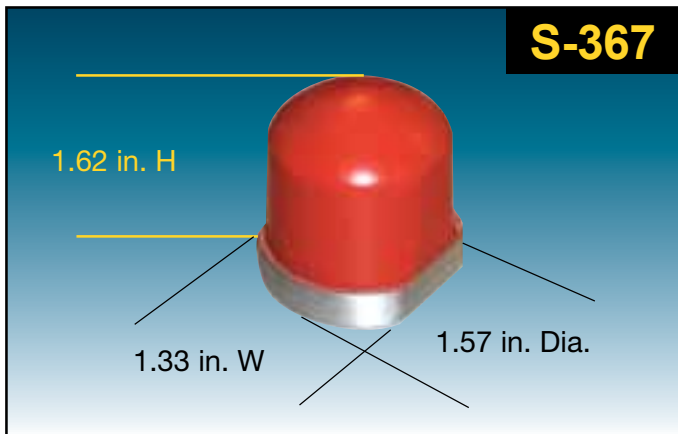
Mold: S-116 Base Alum. Shape: "Round"  
 Base Size: 0.98 in. D Total Pad Height: 0.75 in.  
 Mounting Hole: M6



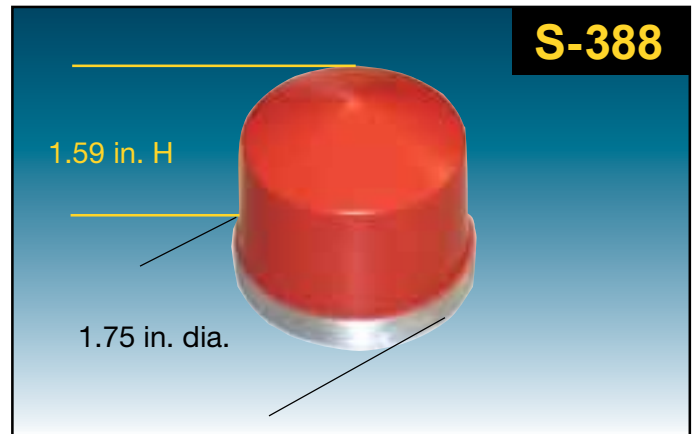
Mold: S-226 Base Alum. Shape: "Round"  
 Base Size: 1.25 in. D Total Pad Height: 1.45 in.  
 Mounting Hole: M6



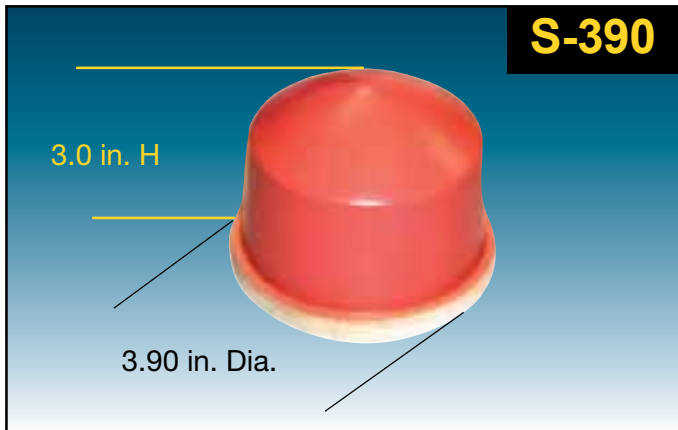
Mold: S-332 Base Ply. Shape: "Round"  
 Base Size: 0.75 in. D Total Pad Height: 0.97 in.  
 Mounting Hole: M5



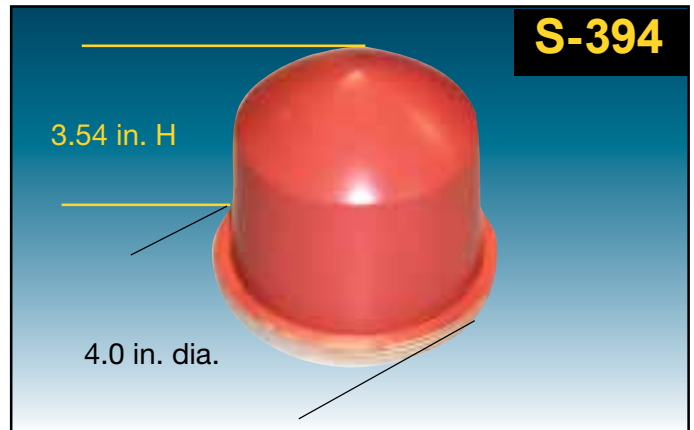
Mold: S-367 Base: Alum. Shape: "Round"  
 Base Size: 1.57 D x 1.33 W Total Pad Height: 1.62 in.  
 Mounting Hole: M6



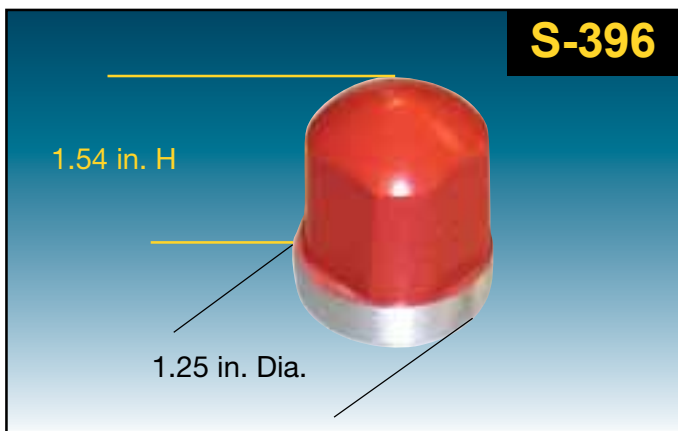
Mold: S-388 Base: Alum. Shape: "Round"  
 Base Size: 1.75 in. D Total Pad Height: 1.59 in.  
 Mounting Hole: M6



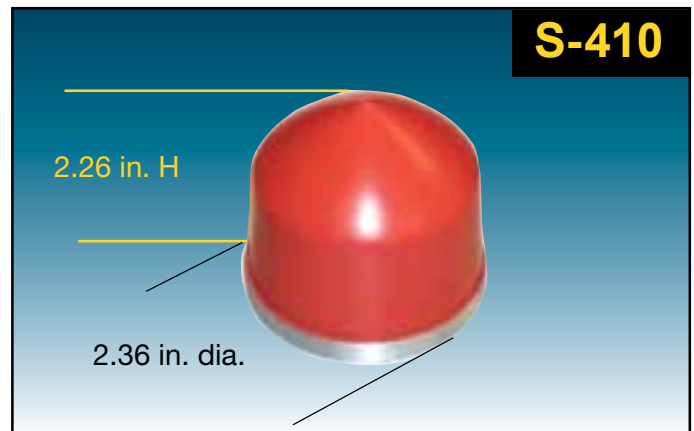
Mold: S-390 Base: Ply. Shape: "Round"  
 Base Size: 3.90 in. D Total Pad Height: 3.0 in.  
 Mounting Hole: none



Mold: S-394 Base: Ply. Shape: "Round"  
 Base Size: 4.0 in. D Total Pad Height: 3.54 in.  
 Mounting Hole: none

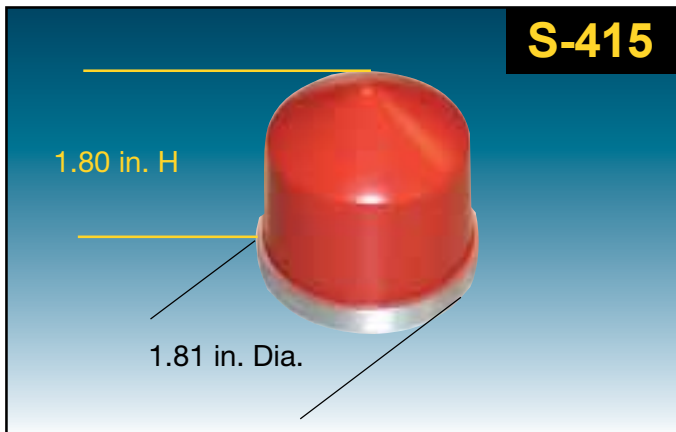


Mold: S-396 Base: Alum. Shape: "Round"  
 Base Size: 1.25 in. D Total Pad Height: 1.54 in.  
 Mounting Hole: M6

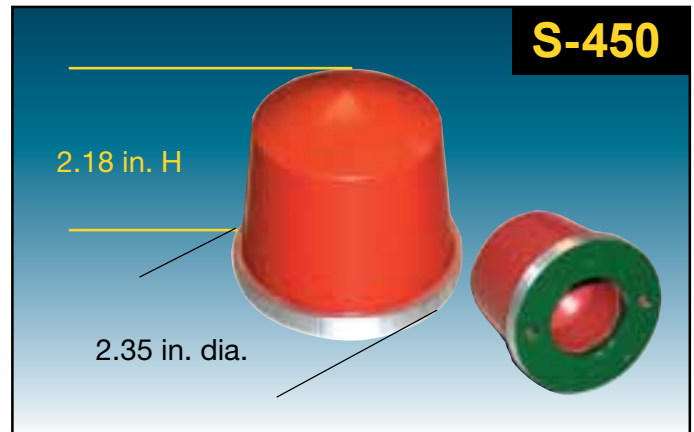


Mold: S-410 Base: Alum. Shape: "Round"  
 Base Size: 2.36 in. D Total Pad Height: 2.26 in.  
 Mounting Hole: M6

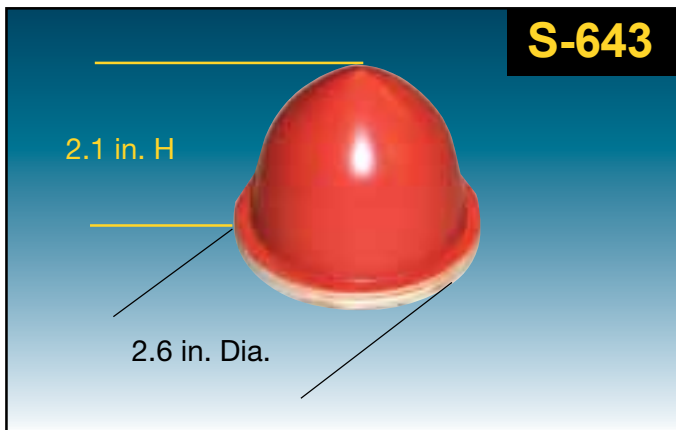




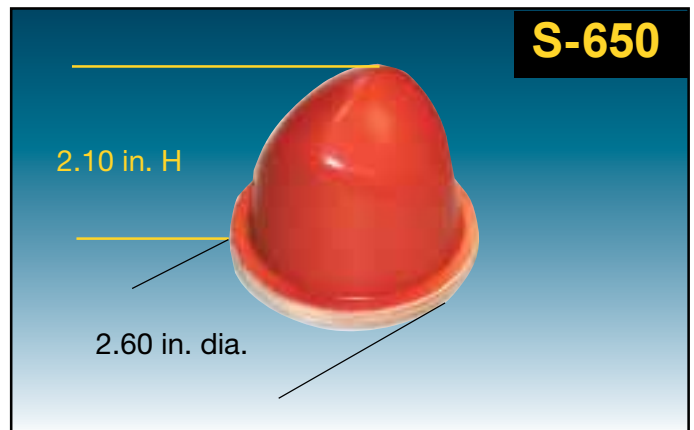
Mold: S-415 Base: Alum. Shape: "Round"  
 Base Size: 1.81 in. D Total Pad Height: 1.80 in.  
 Mounting Hole: M6



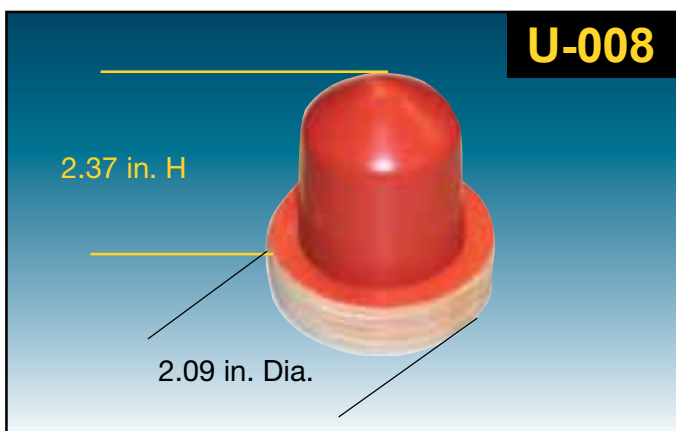
Mold: S-450 Base: Alum. Shape: "Round"  
 Base Size: 2.35 in. D Total Pad Height: 2.18 in.  
 Mounting Holes: M6 (2) Note: hollow pad body



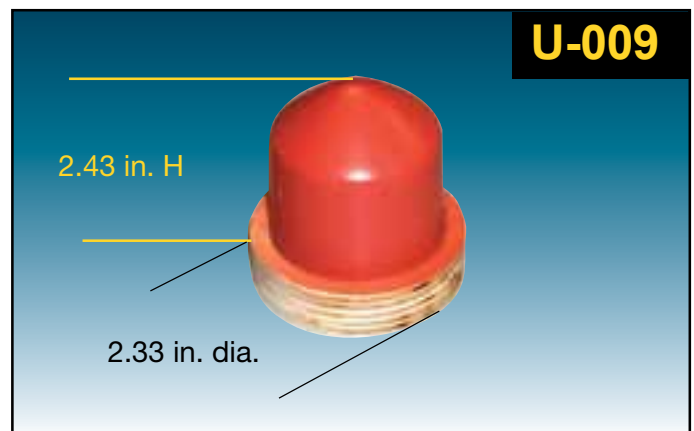
Mold: S-643 Base: Ply. Shape: "Round"  
 Base Size: 2.6 in. D Total Pad Height: 2.1 in.  
 Mounting Hole: none



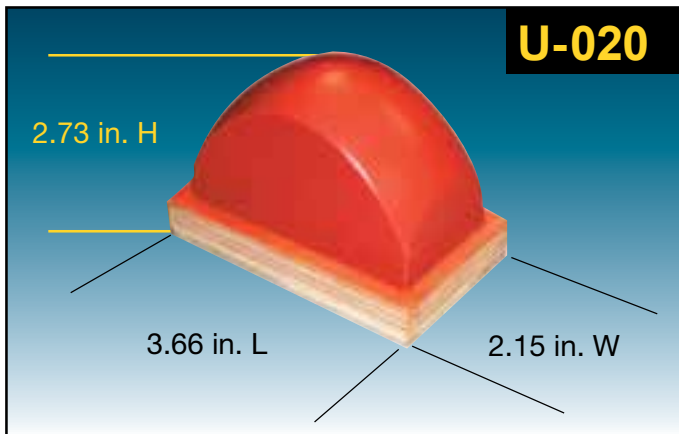
Mold: S-650 Base: Ply. Shape: "Round"  
 Base Size: 2.60 in. D Total Pad Height: 2.10 in.  
 Mounting Hole: none



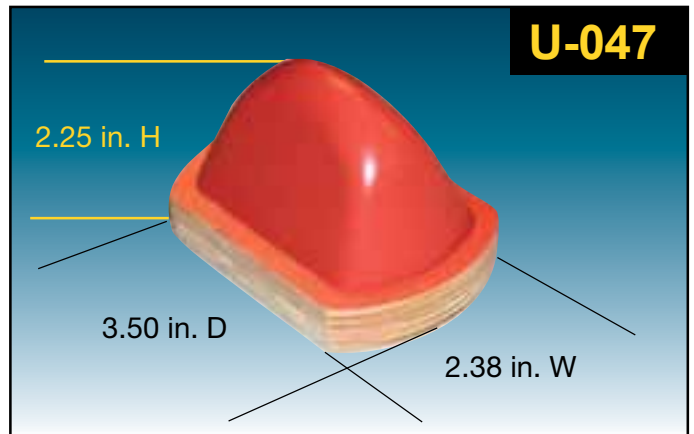
Mold: U-008 Base: Ply. Shape: "Round"  
 Base Size: 2.09 in. D Total Pad Height: 2.37 in.  
 Mounting Hole: threaded 3/8-16



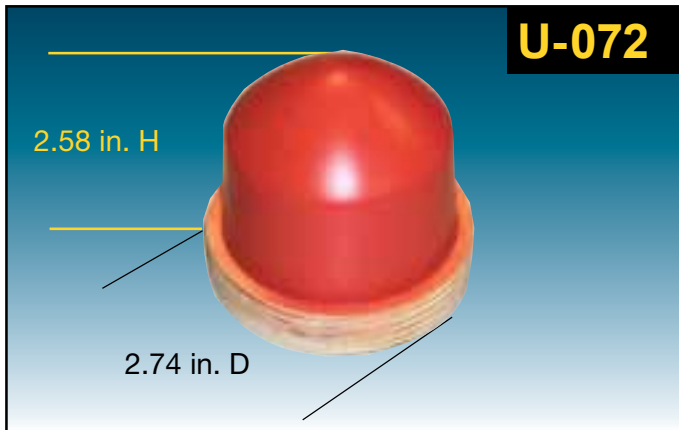
Mold: U-009 Base: Ply. Shape: "Round"  
 Base Size: 2.33 in. D Total Pad Height: 2.43 in.  
 Mounting Hole: threaded 3/8-16



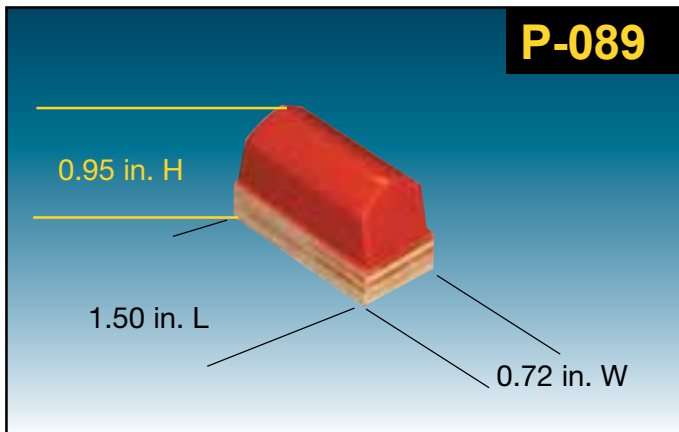
Mold: U-020 Base Ply. Shape: "Round"  
Base Size:3.66 L x 2.15 W Total Pad Height:2.73  
Mounting Hole: threaded 3/8-16



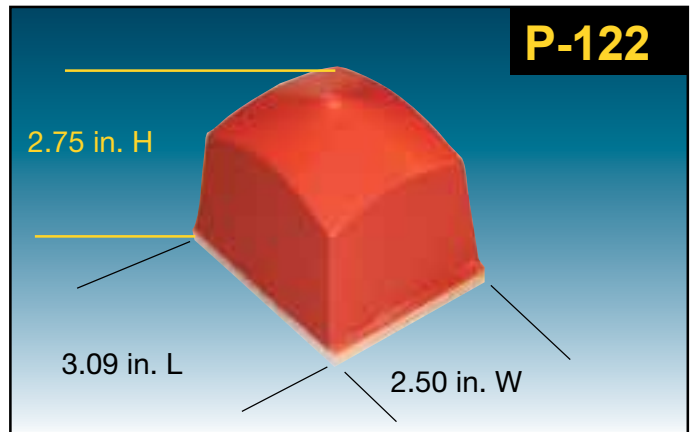
Mold: U-047 Base Ply. Shape: "Round"  
Base Size:3.50 D x 2.38 W Total Pad Height:2.25 in.  
Mounting Hole: threaded 29/64



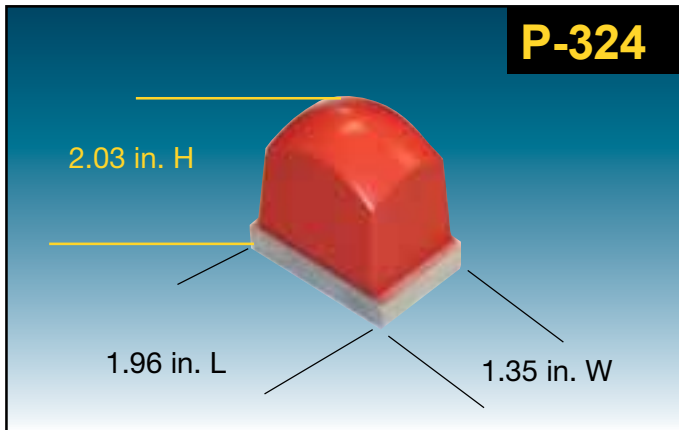
Mold: U-072 Base Ply. Shape: "Round"  
Base Size:2.74 in. D Total Pad Height:2.58  
Mounting Hole: threaded 3/8-16



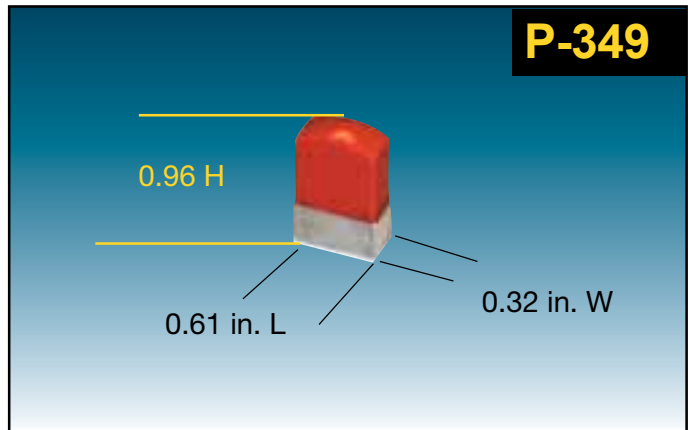
Mold: P-089 Base Ply. Shape: "Square"  
 Base Size: 1.50 L x 0.72 W Total Pad Height: 0.95  
 Mounting Hole: none



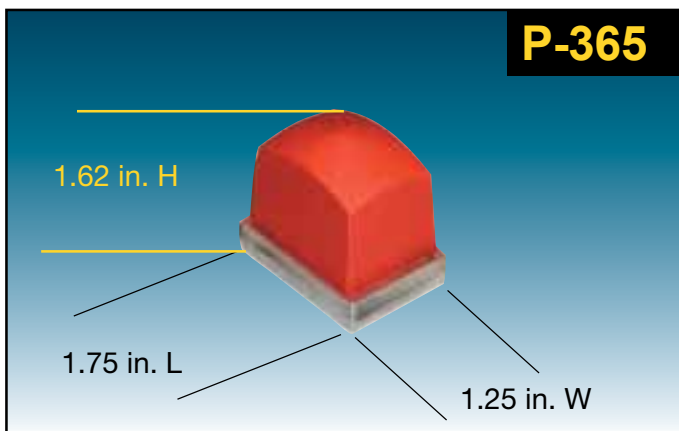
Mold: P-122 Base Ply. Shape: "Square"  
 Base Size: 3.09 L x 2.50 W Total Pad Height: 2.75  
 Mounting Hole: none



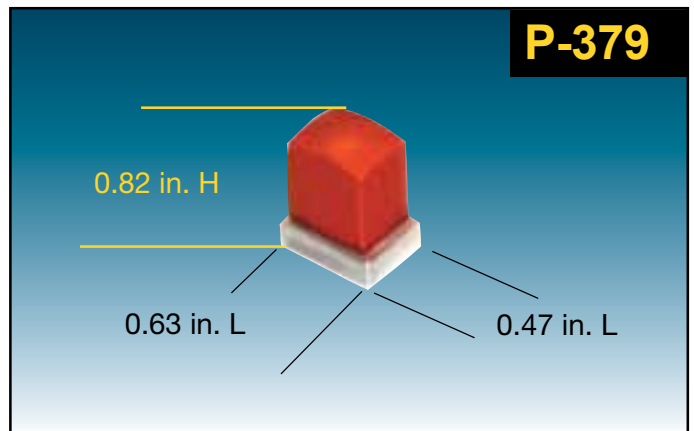
Mold: P-324 Base Alum. Shape: "Square"  
 Base Size: 1.96 L x 1.35 W Total Pad Height: 2.03  
 Mounting Hole: threaded M6



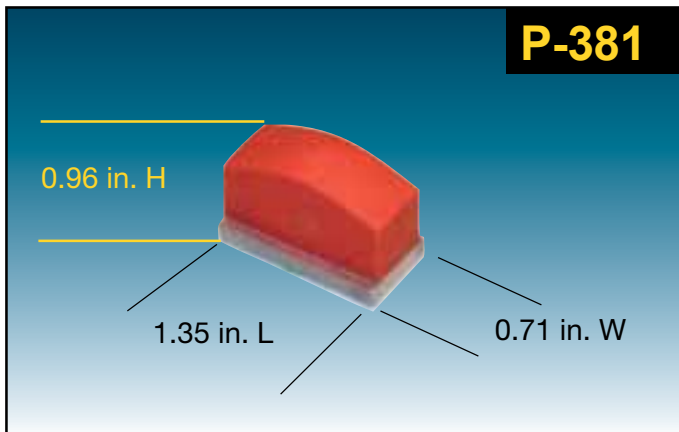
Mold: P-349 Base Alum. Shape: "Square"  
 Base Size: 0.61 L x 0.32 W Total Pad Height: 0.96  
 Mounting Hole: threaded M4



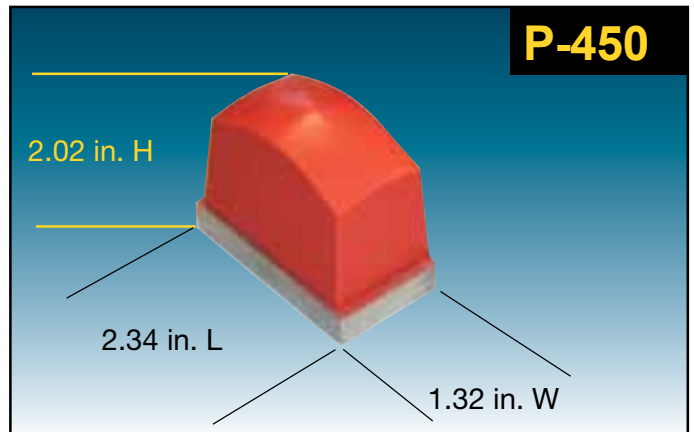
Mold: P-365 Base Alum. Shape: "Square"  
 Base Size: 1.75 L x 1.25 W Total Pad Height: 1.62  
 Mounting Hole: threaded M6



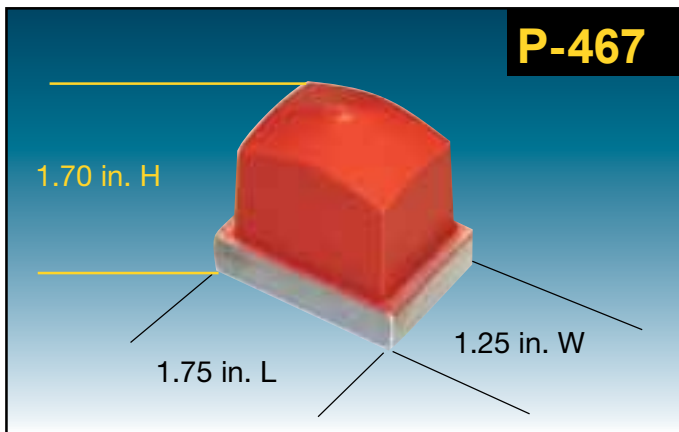
Mold: P-379 Base Alum. Shape: "Square"  
 Base Size: 0.63 L x 0.47 W Total Pad Height: 0.82  
 Mounting Hole: threaded M5



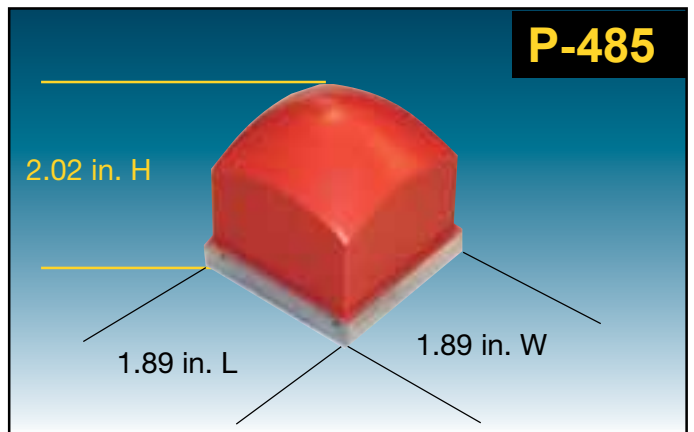
Mold: P-381 Base Alum. Shape: "Square"  
 Base Size: 1.35 L x 0.71 W Total Pad Height: 0.96  
 Mounting Hole: threaded M5



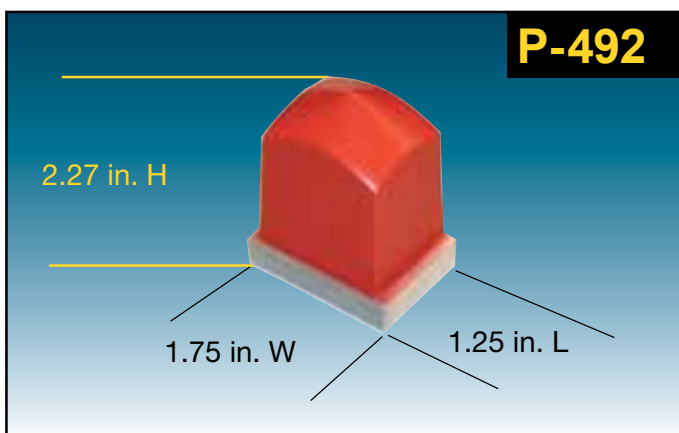
Mold: P-450 Base Alum. Shape: "Square"  
 Base Size: 2.34 L x 1.32 W Total Pad Height: 2.02 in.  
 Mounting Hole: threaded M6



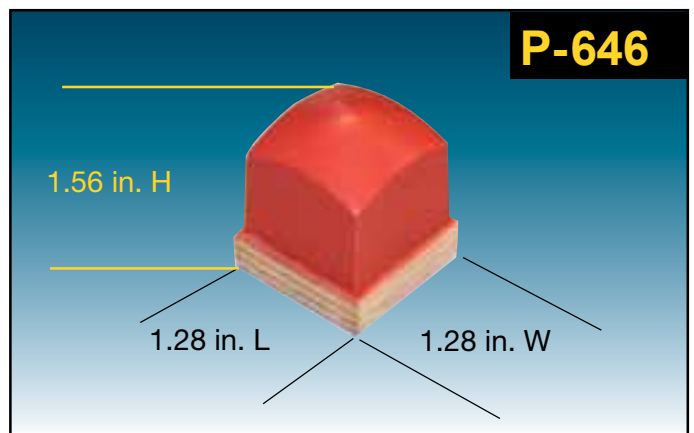
Mold: P467 Base Alum. Shape: "Square"  
 Base Size: 1.75 L x 1.25 W Total Pad Height: 1.70  
 Mounting Hole: M6



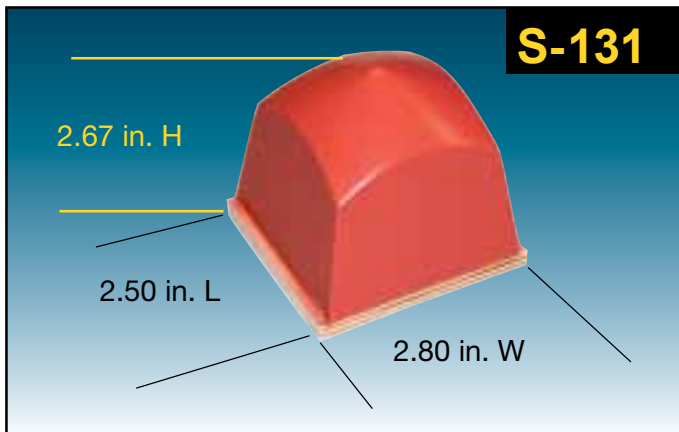
Mold: P-485 Base Alum. Shape: "Square"  
 Base Size: 1.89 L x 1.89 W Total Pad Height: 2.02 in.  
 Mounting Hole: M6



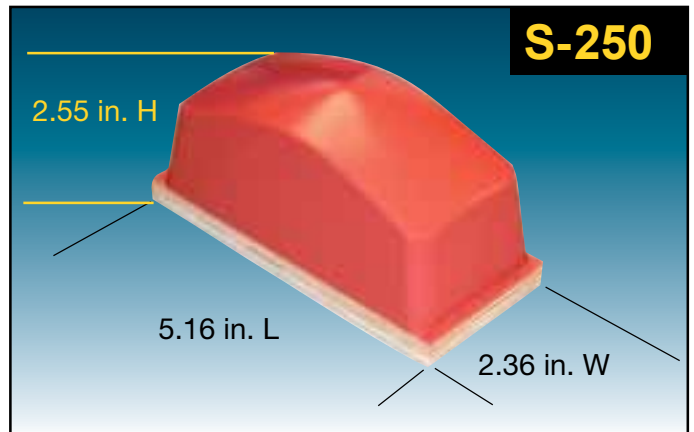
Mold: P492 Base Alum. Shape: "Square"  
 Base Size: 1.75 L x 1.25 W Total Pad Height: 2.27  
 Mounting Hole: M6



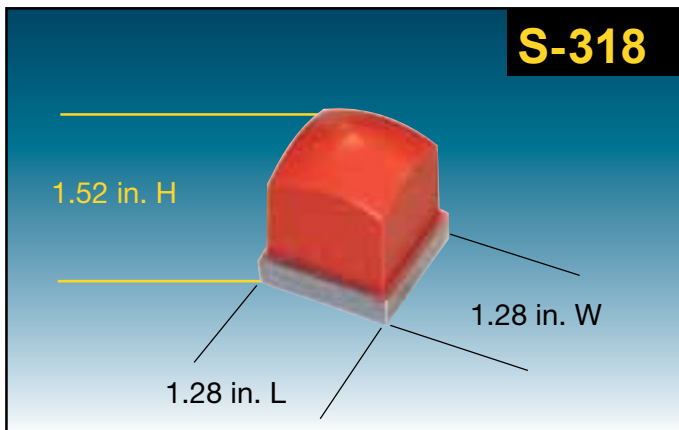
Mold: P646 Base Ply. Shape: "Square"  
 Base Size: 1.28 L x 1.28 W Total Pad Height: 1.56  
 Mounting Hole: M6



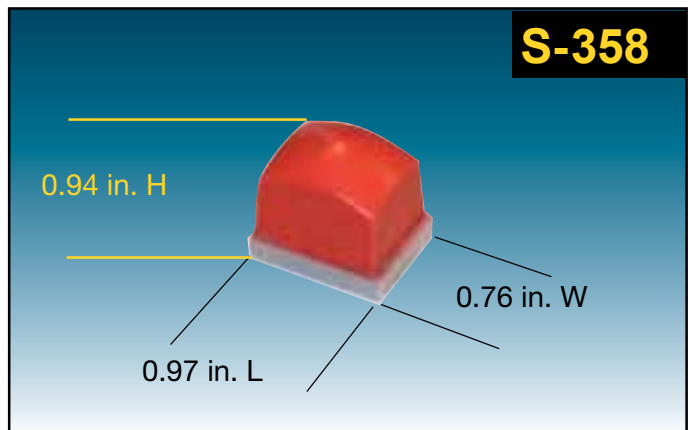
Mold: S131 Base Ply. Shape: "Square"  
 Base Size:2.50 L x 2.80 W Total Pad Height:2.67  
 Mounting Hole: none



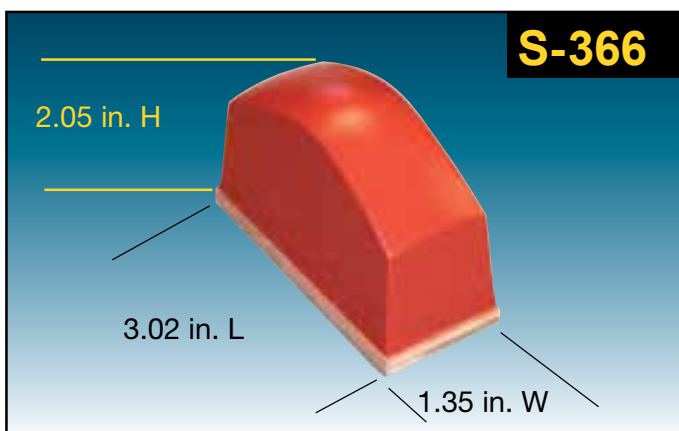
Mold: S250 Base Ply. Shape: "Square"  
 Base Size:5.16 L x 2.36 W Total Pad Height:2.55  
 Mounting Hole: none



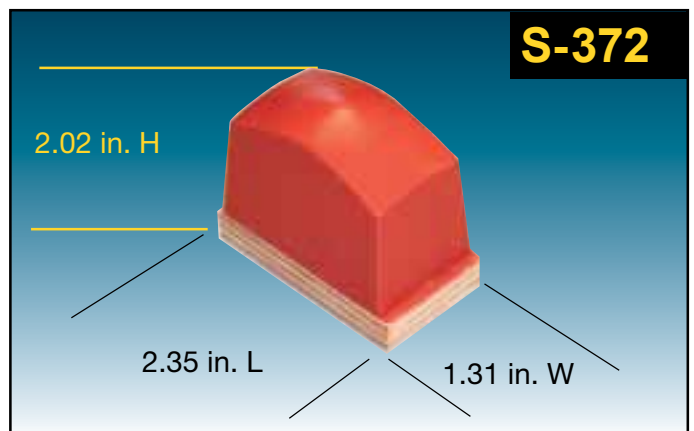
Mold: S-318 Base Alum. Shape: "Square"  
 Base Size:1.28 L x 1.28 W Total Pad Height:1.52  
 Mounting Hole: M6



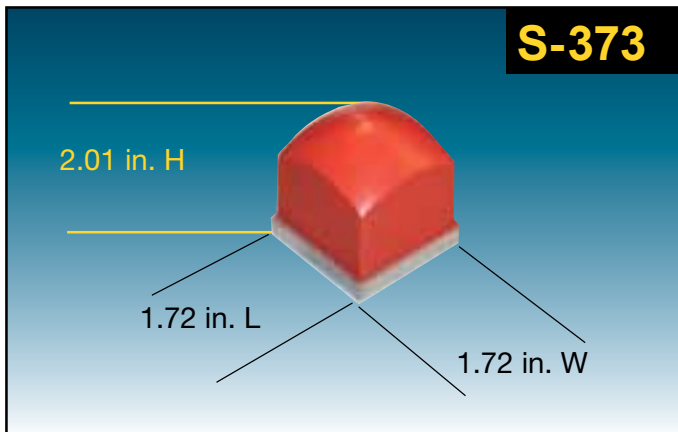
Mold: S-358 Base Alum. Shape: "Square"  
 Base Size:0.97 L x 0.76 W Total Pad Height:0.94  
 Mounting Hole: M5



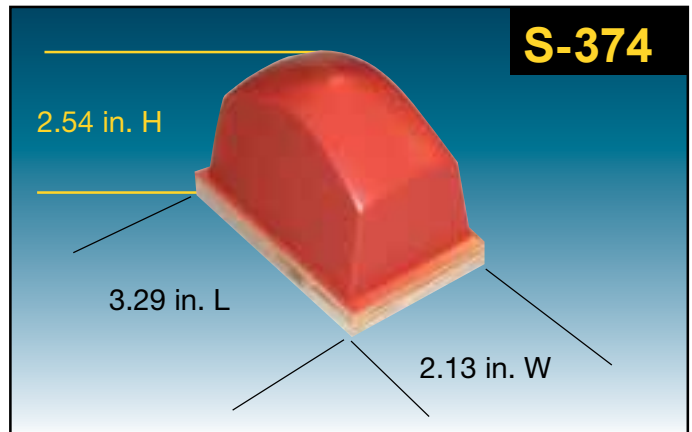
Mold: S-366 Base Ply. Shape: "Square"  
 Base Size:3.02 L x 1.35 W Total Pad Height:2.05  
 Mounting Hole: none



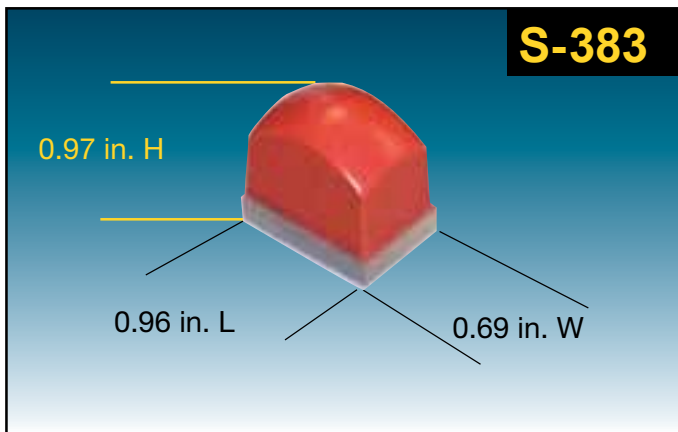
Mold: S-372 Base Ply. Shape: "Square"  
 Base Size:2.35 L x 1.31 W Total Pad Height:2.02  
 Mounting Hole: none



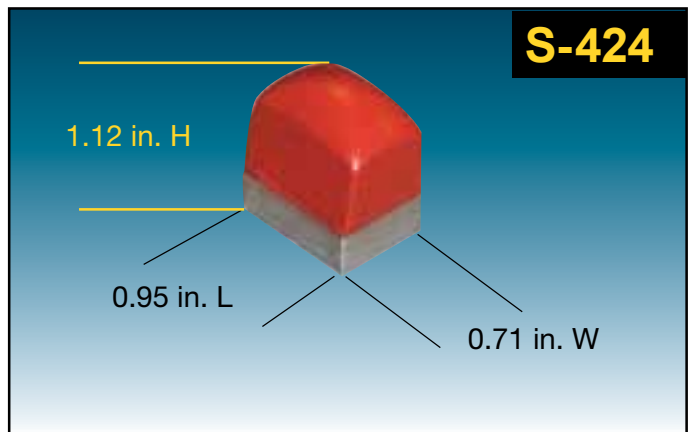
Mold: S-373 Base Alum. Shape: "Square"  
 Base Size:1.72 L x 1.72 W Total Pad Height:2.01  
 Mounting Hole: M6



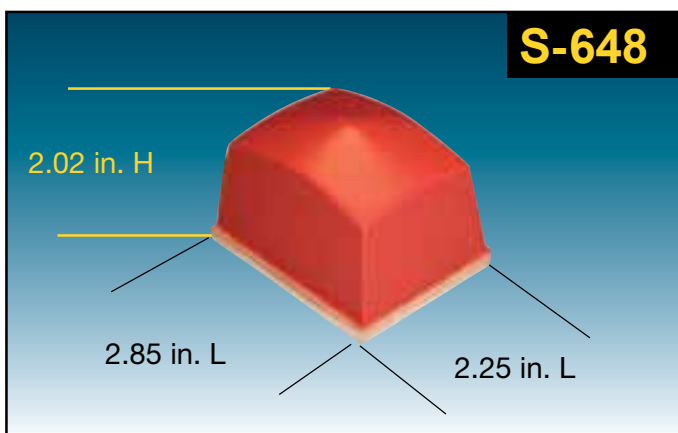
Mold: S-374 Base Ply. Shape: "Square"  
 Base Size:3.29 L x 2.13 W Total Pad Height:2.54  
 Mounting Hole: none



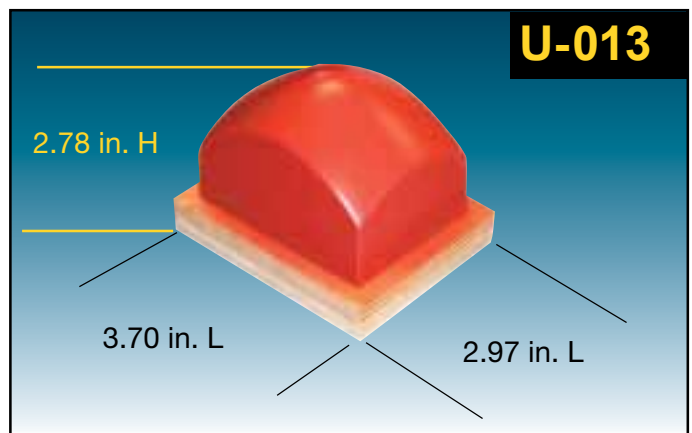
Mold: S-383 Base Alum. Shape: "Square"  
 Base Size:0.96 L x 0.69 W Total Pad Height:0.97  
 Mounting Hole: M5



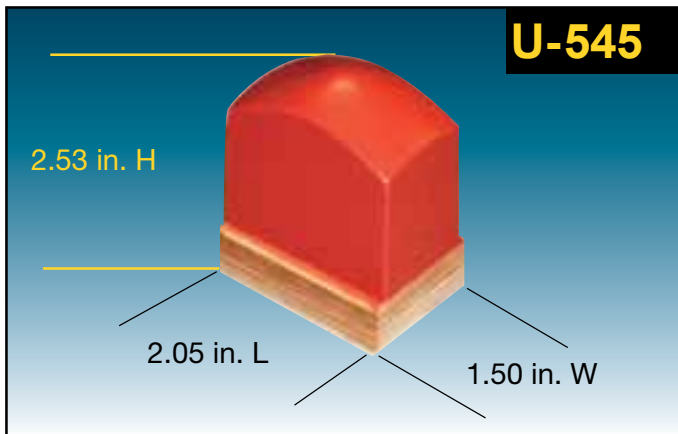
Mold: S-424 Base Alum. Shape: "Square"  
 Base Size:0.95 L x 0.71 W Total Pad Height:1.12  
 Mounting Hole: M5



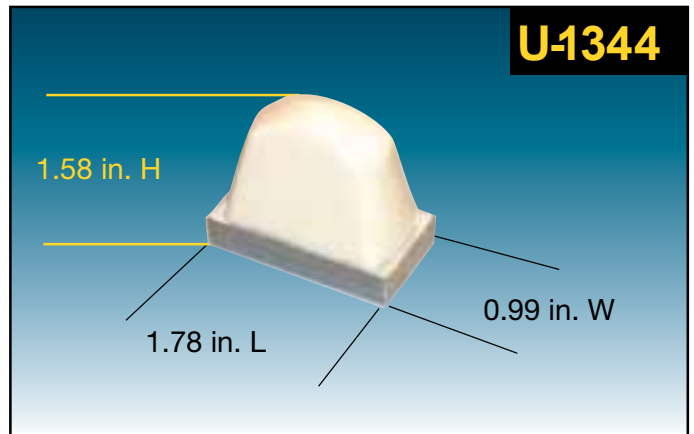
Mold: S-648 Base Ply. Shape: "Square"  
 Base Size:2.85 L x 2.25 W Total Pad Height:2.02  
 Mounting Hole: none



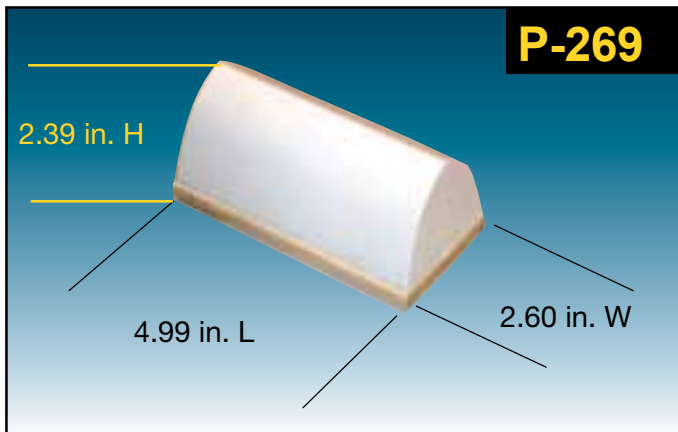
Mold: U-013 Base Ply. Shape: "Square"  
 Base Size:3.70 L x 2.97 W Total Pad Height:2.78  
 Mounting Hole: none



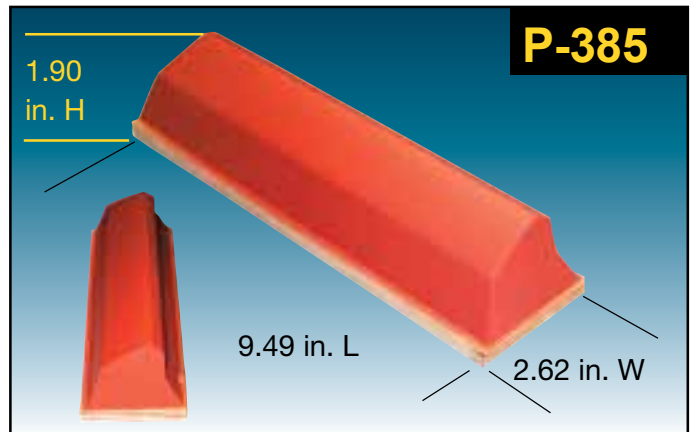
Mold: U-545 Base Ply. Shape: "Square"  
Base Size: 2.05 L x 1.50 W Total Pad Height: 2.53  
Mounting Hole: threaded 3/8-16



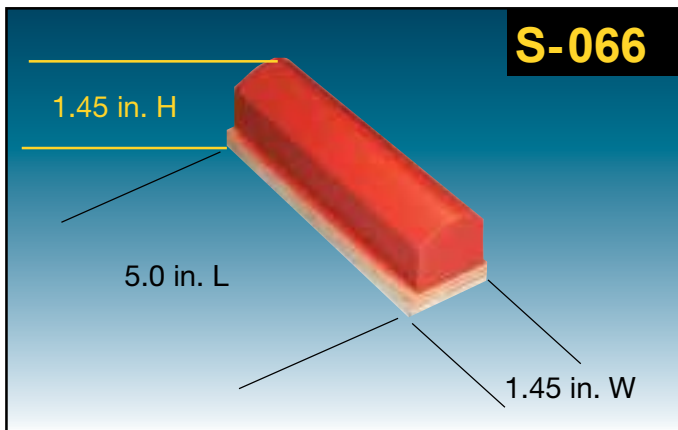
Mold: U-1344 Base Alum. Shape: "Square"  
Base Size: 1.78 L x 0.99 W Total Pad Height: 1.58  
Mounting Hole: M6



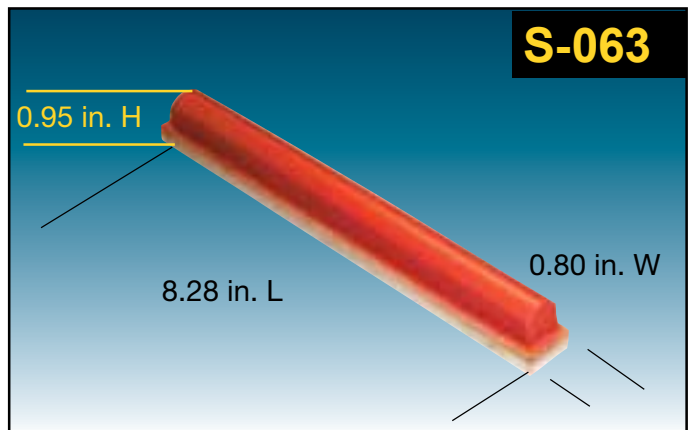
Mold: P-269 Base Ply. Shape: "Bar"  
 Base Size: 4.99 L x 2.60 W Total Pad Height: 2.39  
 Mounting Hole: none



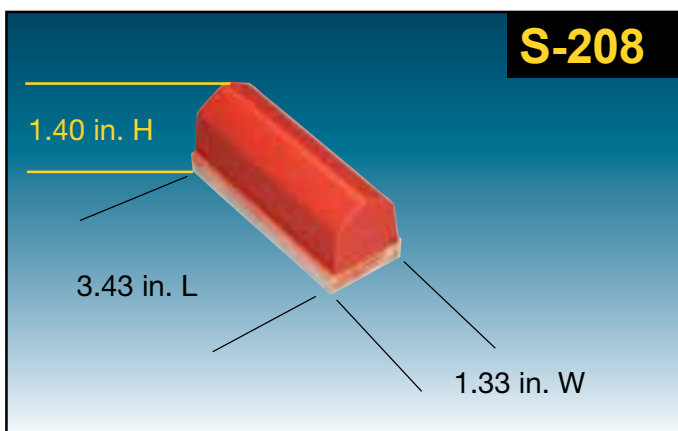
Mold: P-385 Base Ply. Shape: "Bar"  
 Base Size: 9.49 L x 2.62 W Total Pad Height: 1.90  
 Mounting Hole: none



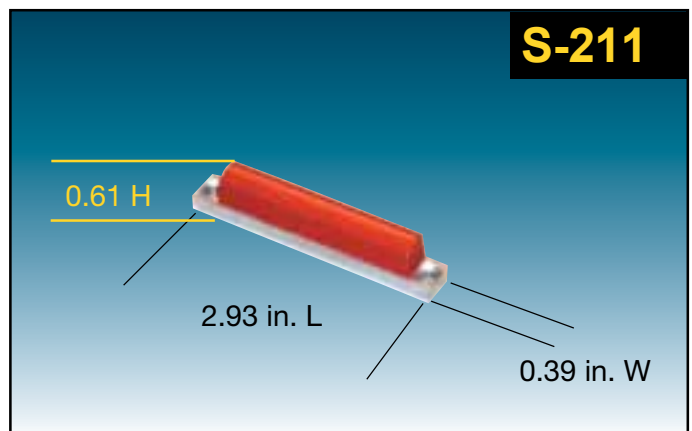
Mold: S-066 Base Ply. Shape: "Bar"  
 Base Size: 5.0 L x 1.45 W Total Pad Height: 1.45  
 Mounting Hole: none



Mold: P-324 Base Alum. Shape: "Square"  
 Base Size: 8.28 L x 0.80 W Total Pad Height: 0.95  
 Mounting Hole: none

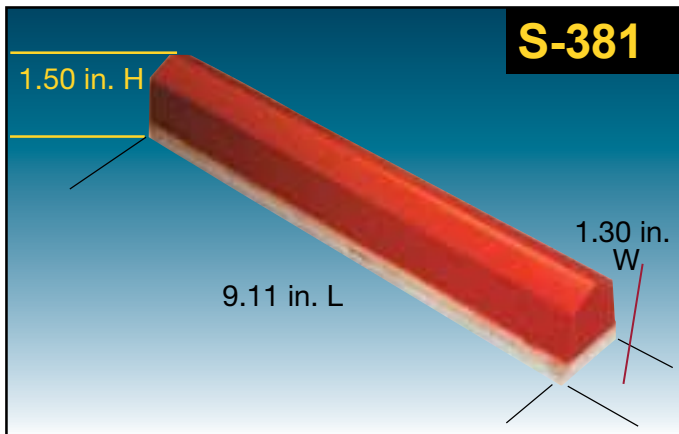


Mold: S-208 Base Ply. Shape: "Bar"  
 Base Size: 3.43 L x 1.33 W Total Pad Height: 1.40  
 Mounting Hole: none

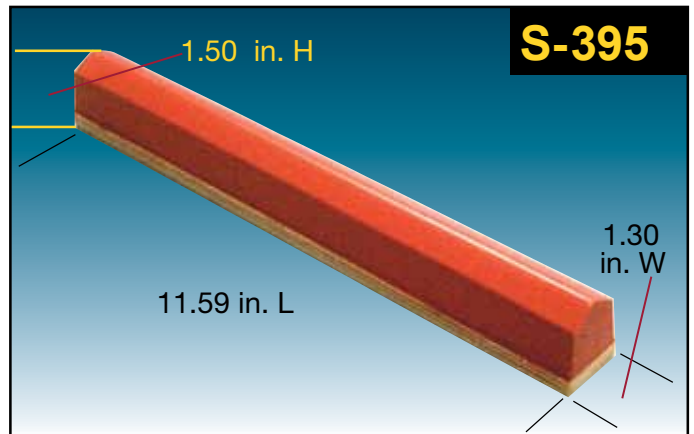


Mold: S-211 Base Alum. Shape: "Bar"  
 Base Size: 2.93 L x 0.39 W Total Pad Height: 0.61  
 Mounting Holes: (2) 3/16 in. dia., countersink

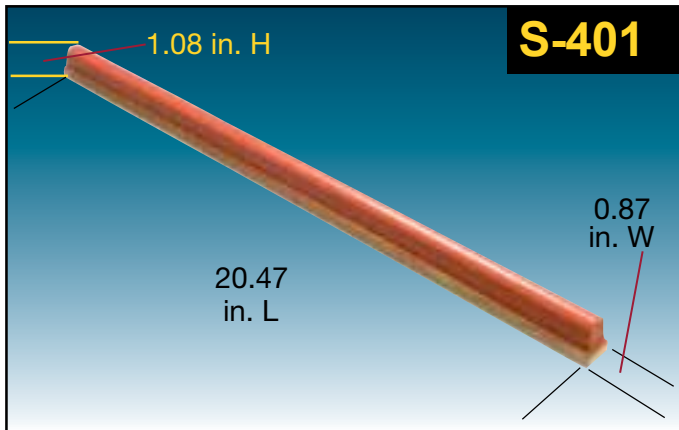




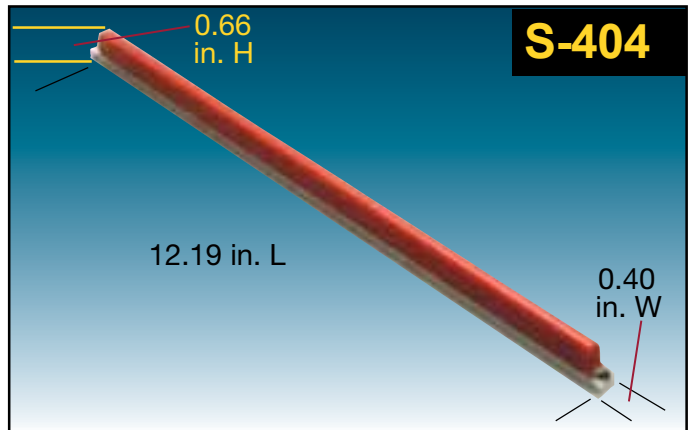
Mold: S-381 Base Alum. Shape: "Bar"  
 Base Size: 9.11 L x 1.30 W Total Pad Height: 1.50 in.  
 Mounting Hole: none



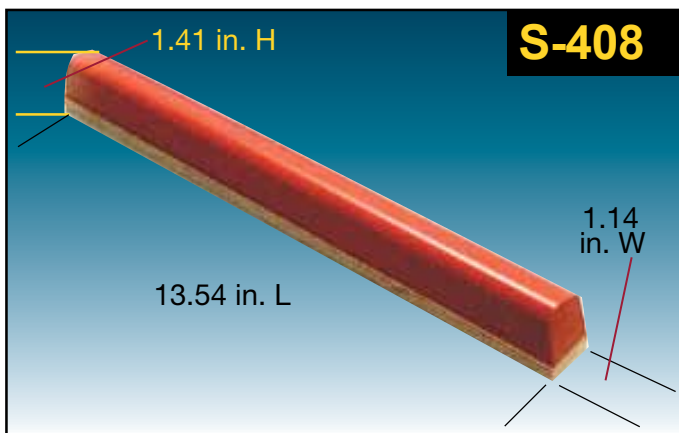
Mold: S-395 Base Ply. Shape: "Bar"  
 Base Size: 11.59 L x 1.30 W Total Pad Height: 1.50  
 Mounting Hole: none



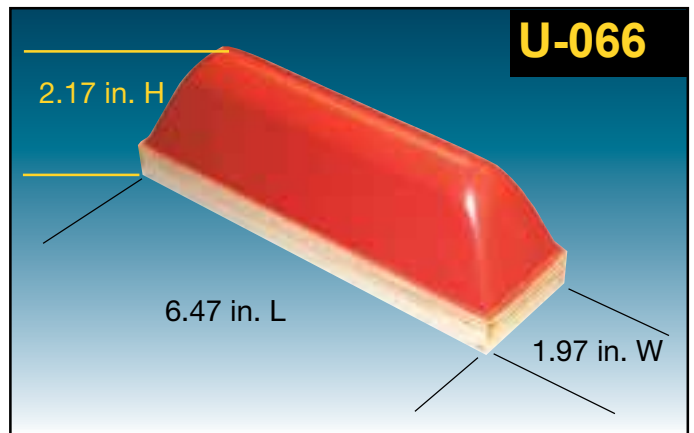
Mold: S-401 Base Ply. Shape: "Bar"  
 Base Size: 20.47 L x 0.87 W Total Pad Height: 1.08  
 Mounting Hole: none



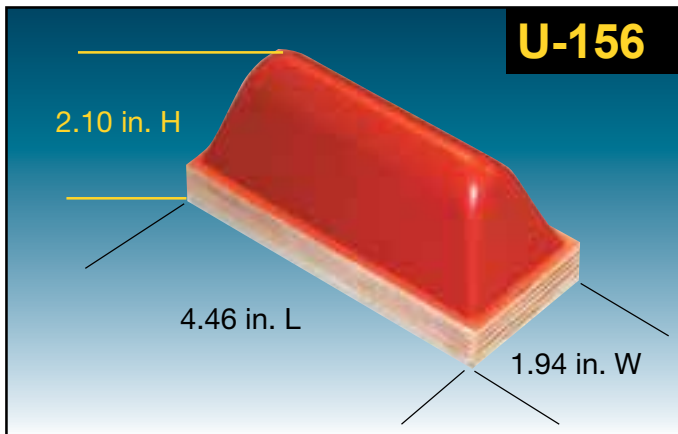
Mold: S-404 Base Alum. Shape: "Bar"  
 Base Size: 12.19 L x 0.40 W Total Pad Height: 0.66 in.  
 Mounting Holes: countersink (2) 3/16-in. dia.



Mold: S-408 Base Ply. Shape: "Bar"  
 Base Size: 13.54 L x 1.14 W Total Pad Height: 1.41 in.  
 Mounting Hole: none



Mold: U-066 Base Ply. Shape: "Bar"  
 Base Size: 6.47 L x 1.97 W Total Pad Height: 2.17 in.  
 Mounting Hole: 3.8 - 16



Mold: U-156 Base Ply. Shape: "Bar"  
Base Size: 4.46 L x 1.92 W Total Pad Height: 2.10  
Mounting Hole: 3/8 - 16

## ***Valuable Consumable Products & Services For Your Specific Pad Printing Needs:***

***Your top-of-the-line equipment requires the same excellent level of supplies and services.***

Trans Tech America carries a full inventory of the highest quality consumable products demanded by the product decorating industry. Whether you need pad printing plates, pads, inks or other special supplies, these consumables and related service are the finest available worldwide.

In addition, Trans Tech offers its customers a complete in-house source for the particular demands of industrial pad printers, including:

- High-tech art production using specialized graphic arts equipment, computerized design and an art staff experienced in solving unique pad printing challenges
- Dedicated test print lab for research on ink-to-substrate compatibility, pad suitability, image distortion and customer training
- Complete platemaking facilities for processing and etching steel plate drums, plates and foils plus polymer and hydro-foil plates
- Machine shop for part holding-fixture design, building and testing as well as padprinting machine service
- Custom mixing and color matching of pad printing inks to formula specifications
- Custom CAD design of manual, semi- and fully automated systems for high volume industrial applications, including part indexing, orientation, load & unloading, surface pretreatment and post print curing.



For more information or to place an order, call our phone or fax numbers below or visit our web site.