

---

# Orion 130

## rev 2a

---

---

as of 2006, serial # 031 and up



# Spare Parts List

---

## ***ITWTrans Tech: Complete Pad Printing Solutions***

---



**Trusted Partner for Your Product Decorating Needs**  
Trans Tech 475 North Gary Avenue, Carol Stream, IL 60188 Tel  
+1 (630) 752 4000 Fax +1 (630) 752 4467  
Email [sales@itwtranstech.com](mailto:sales@itwtranstech.com)  
[www.itwtranstech.com](http://www.itwtranstech.com) [www.itwids.com](http://www.itwids.com)

A MEMBER OF  
 **IDS** | A Division  
of ITW

Orion 130 rev 2

For best results when printing this file, set printer resolution to 300 dpi.

While every effort has been made to ensure the accuracy of this manual, Trans Tech cannot be held responsible for any errors or omissions. We reserve the right to make changes to technical specifications without prior notice.



## Contents

Orion 130 rev 2

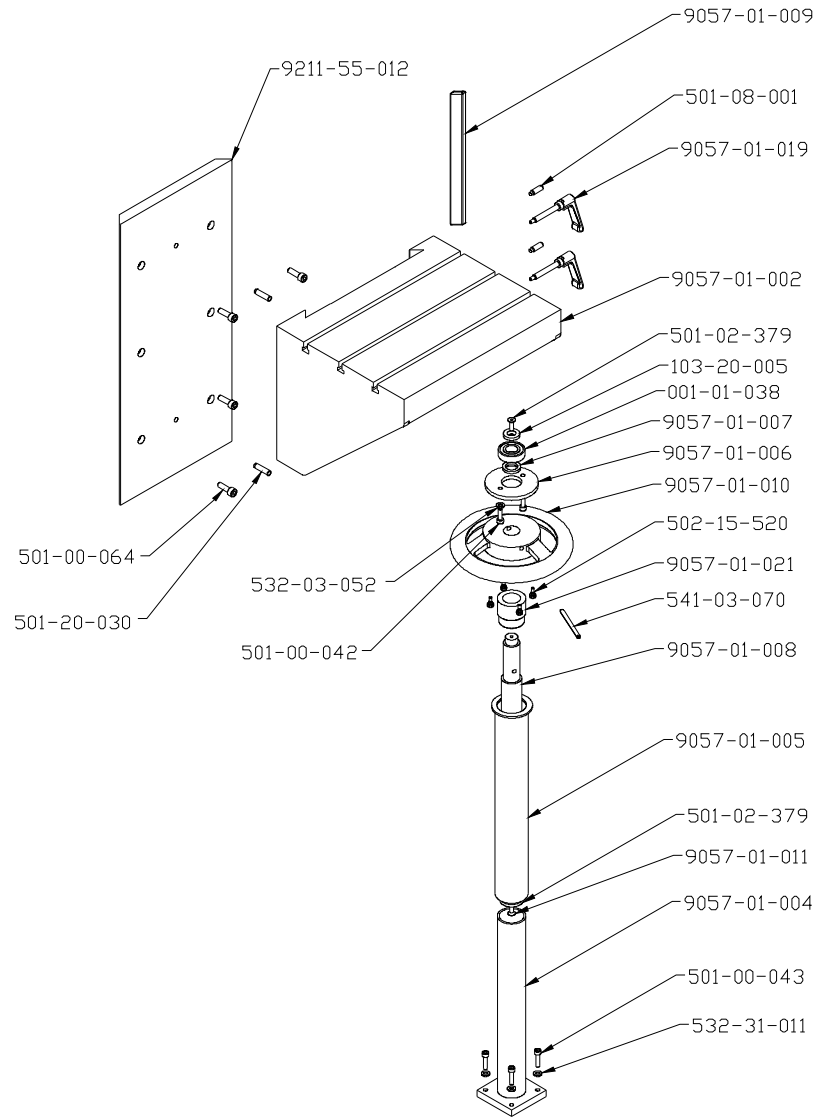
Work Knee .....	4
Frame .....	6
Pad Ram Slide .....	8
Doctor Slide .....	10
Stroke Mechanism .....	12
Guards.....	14
X-R Table.....	16
Pneumatics .....	18
Electrics .....	20
Cliche'/Cupholder Accessories .....	22
Ink Cup/SpceFrame Accessories .....	24

**Work Knee - Optional (9211-55-000)**

Orion 130 rev 2

001-01-038	BEARING
103-20-005	SHOULDER PLATE
501-00-042	SOCKET HEAD CAP SCREW
501-00-043	SOCKET HEAD CAP SCREW
501-00-064	SOCKET HEAD CAP SCREW
501-02-379	SOCKET FLAT HEAD CAP SCREW
501-08-001	SET SCREW
501-20-030	DWL PIN
502-15-520	SHOULDER SCREW
5057-01-011	STOP (WASHER)
532-03-052	HARDENED WASHER
532-31-011	LOCK WASHER
541-03-070	ROLL PIN
9057-01-002	KNEE
9057-01-004	KNEE SUPPORT
9057-01-005	COVER
9057-01-006	MOUNTING FLANGE
9057-01-007	HARDENED WASHER
9057-01-008	ACME SCREW
9057-01-009	GIB STRIP
9057-01-010	HANDWHEEL
9057-01-019	ADJ. HANDLE
9057-01-021	ACME NUT
9211-55-012	DOVETAIL PLATE

WORK KNEE - Optional (9211-55-000) Orion 130 rev 2

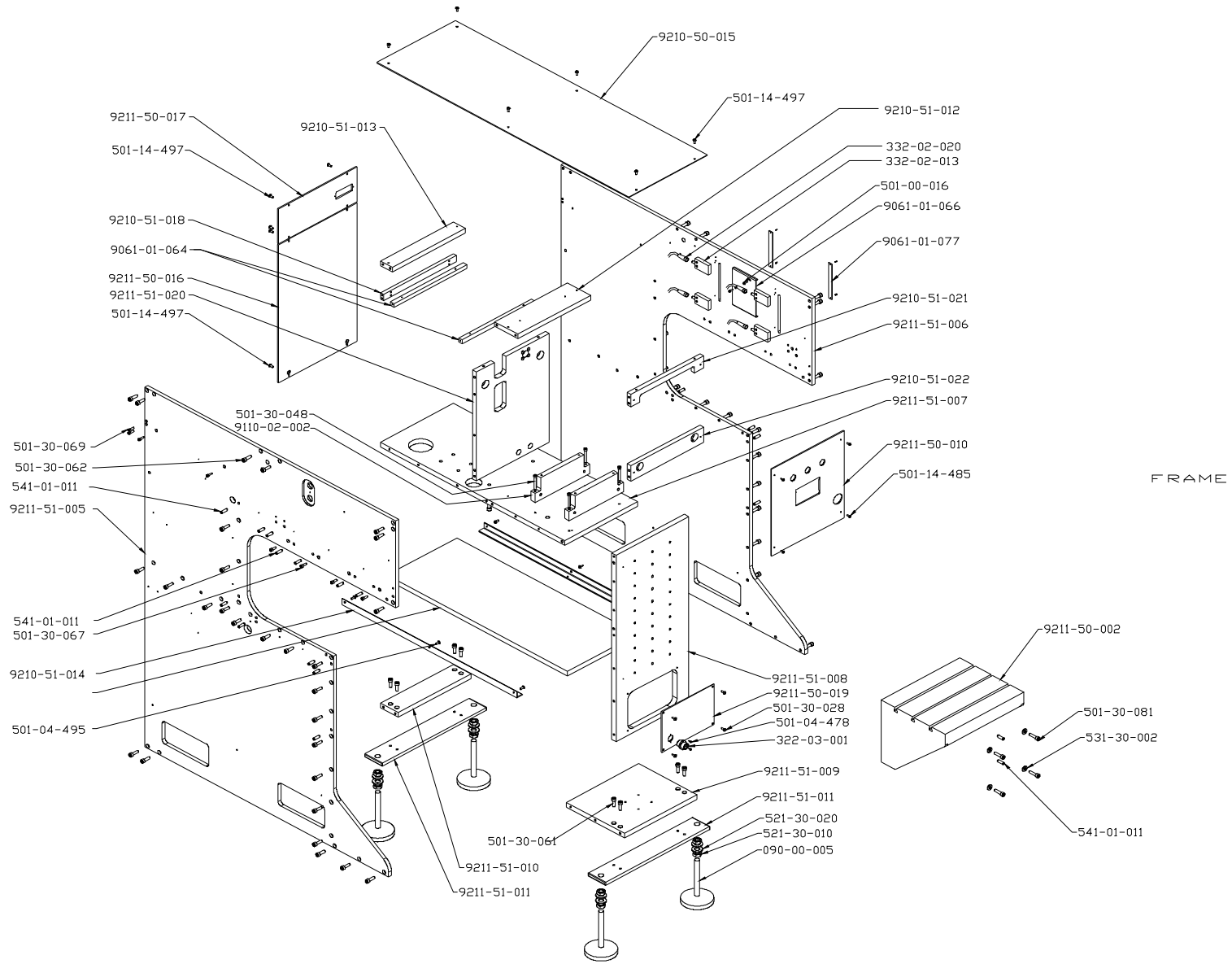


## Frame

Orion 130 rev 2

<b>PART NUMBER</b>	<b>DESCRIPTION</b>	<b>PART NUMBER</b>	<b>DESCRIPTION</b>
090-00-005	MACHINE FOOT	9211-50-018	SHELF
322-03-001	RECEPTACLE	9211-50-019	LOWER FRONT PANEL
501-00-016	BUTTON HEAD CAP SCREW	9211-51-005	SIDE PLATE, LEFT
501-04-478	BUTTON HEAD CAP SCREW	9211-51-006	SIDE PLATE, RIGHT
501-04-495	BUTTON HEAD CAP SCREW	9211-51-007	FLOOR PLATE
501-14-485	BUTTON HEAD CAP SCREW	9211-51-008	FRONT PLATE
501-14-497	BUTTON HEAD CAP SCREW	9211-51-009	FRONT FOOT MOUNT PLATE
501-30-028	BUTTON HEAD CAP SCREW	9211-51-011	FOOT MOUNT PLATE
501-30-028	BUTTON HEAD CAP SCREW	9211-51-020	SPACER PLATE, CENTER
501-30-048	SOCKET HEAD CAP SCREW		
501-30-061	SOCKET HEAD CAP SCREW		
501-30-062	SOCKET HEAD CAP SCREW		
501-30-069	SOCKET HEAD CAP SCREW		
501-30-081	SOCKET HEAD CAP SCREW		
521-30-010	NUT		
531-30-002	FLAT WASHER		
531-30-020	WASHER		
541-01-011	DOWEL PIN		
9061-01-064	SUPPORT		
9061-01-066	SHIELD, CABLE		
9061-01-077	SCALE		
9110-02-002	RISER CLICHE HOLDER		
9210-50-015	TOP COVER		
9210-51-010	REAR FOOT MOUNT PLATE		
9210-51-012	TOP MIDDLE SUPPORT		
9210-51-013	TOP REAR SUPPORT		
9210-51-014	SHELF RUNNER		
9210-51-018	REAR CROSS PIECE		
9210-51-021	SPACER PLATE, UPPER FRONT		
9210-51-022	SPACER PLATE, LOWER FRONT		
9211-50-002	KNEE		
9211-50-010	FRONT PANEL BEZEL		
9211-50-016	REAR ACCESS DOOR		
9211-50-017	REAR PANEL		

Orion 130 rev 2



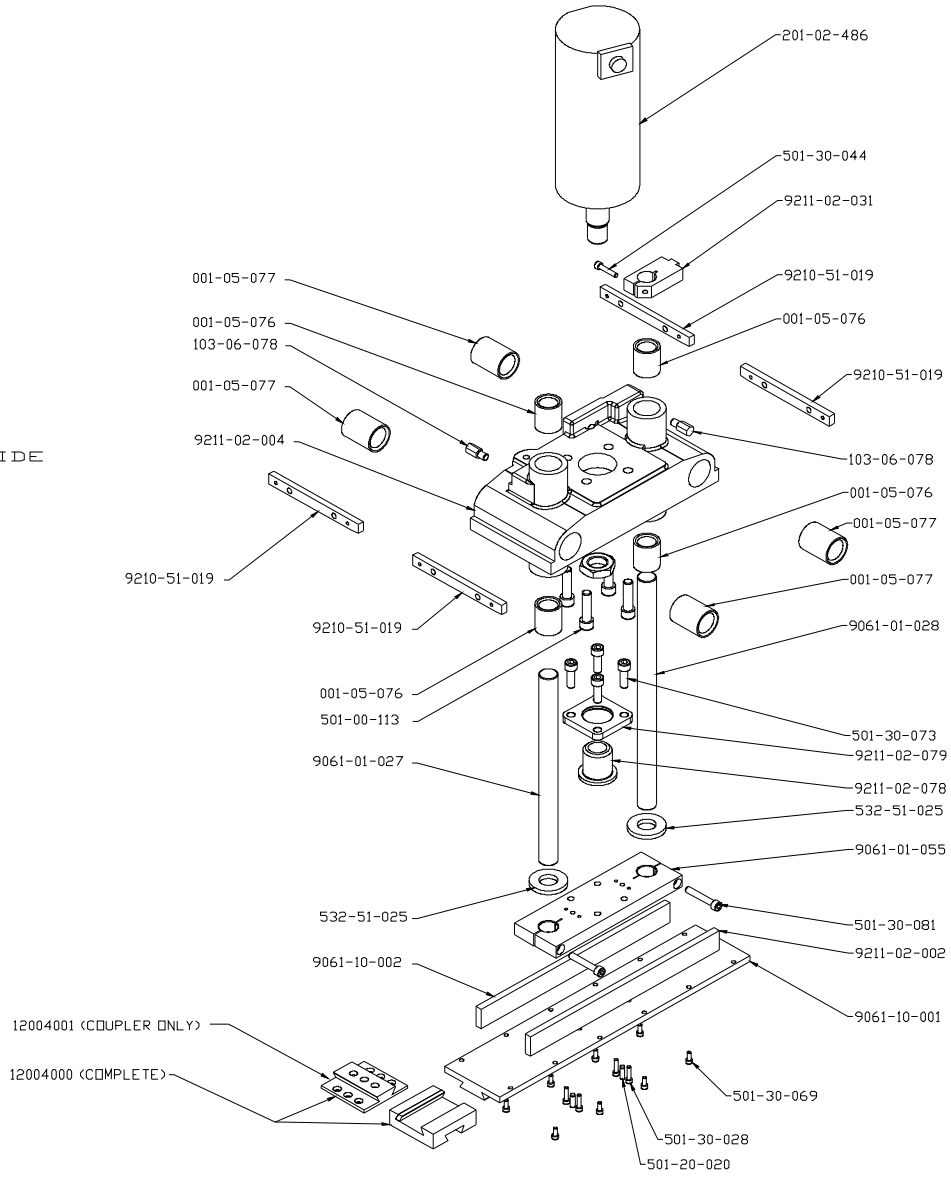
## Pad Ram Slide

Orion 130 rev 2

<b>PART NUMBER</b>	<b>DESCRIPTION</b>
12004000	PAD SLIDE COMPLETE (INCLUDES 12004001)
12004001	PAD COUPLER ONLY
001-05-076	LINEAR BEARING
001-05-077	LINEAR BEARING
103-06-078	REST STOP
201-02-486	AIR CYLINDER
501-00-113	SOCKET HEAD CAP SCREW
501-20-020	DOWEL PIN
501-30-028	SOCKET HEAD CAP SCREW
501-30-044	SOCKET HEAD CAP SCREW
501-30-069	SOCKET HEAD CAP SCREW
501-30-073	SOCKET HEAD CAP SCREW
501-30-081	SOCKET HEAD CAP SCREW
532-51-025	URETHANE WASHER
9061-01-027	GUIDE ROD, LEFT
9061-01-028	GUIDE ROD, RIGHT
9061-01-055	BRIDGE
9061-10-001	DOVETAIL
9210-51-019	SUPPORT RAIL
9211-02-002	RAIL
9211-02-004	PAD RAM CASTING
9211-02-031	SENSOR BLOCK
9211-02-078	LARGE ROD END
9211-02-079	LARGE ROD COUPLER



PAD RAM SLIDE

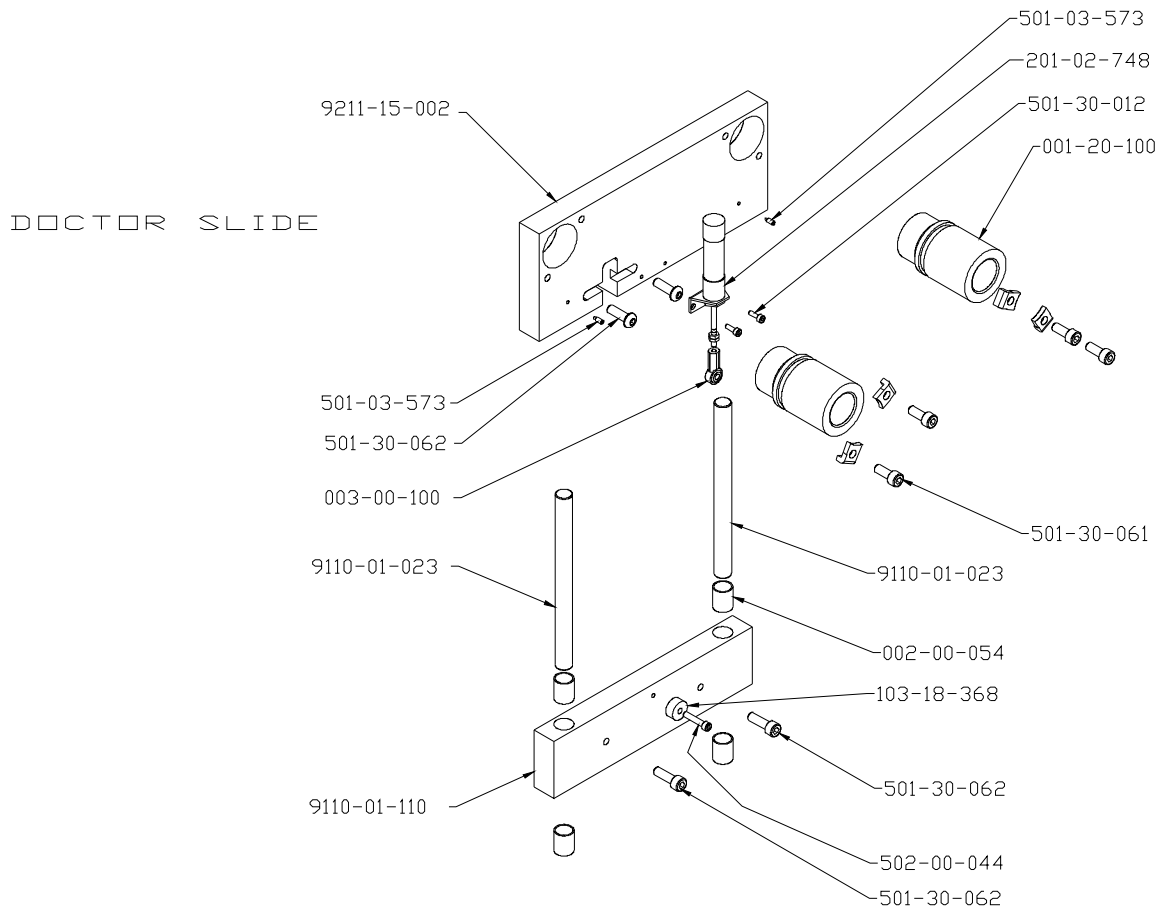


Orion 130 rev 2

**Doctor Slide**

Orion 130 rev 2

<b>PART NUMBER</b>	<b>DESCRIPTION</b>
001-20-100	PACIFIC NON-STANDARD BEARING
002-00-054	DU BUSHING
003-00-100	ROD END
103-18-368	SPACER
201-02-748	AIR CYL W/BRAKE
501-03-082	SET SCREW
501-03-573	SOCKET HEAD CAP SCREW
501-30-061	SOCKET HEAD CAP SCREW
501-30-062	SOCKET HEAD CAP SCREW
501-30-062	BUTTON HEAD CAP SCREW
502-00-044	SOCKET HEAD CAP SCREW
9110-01-023	LIFT SHAFT
9110-01-110	LIFT BLOCK
9211-15-002	CUP DRIVER GUIDE

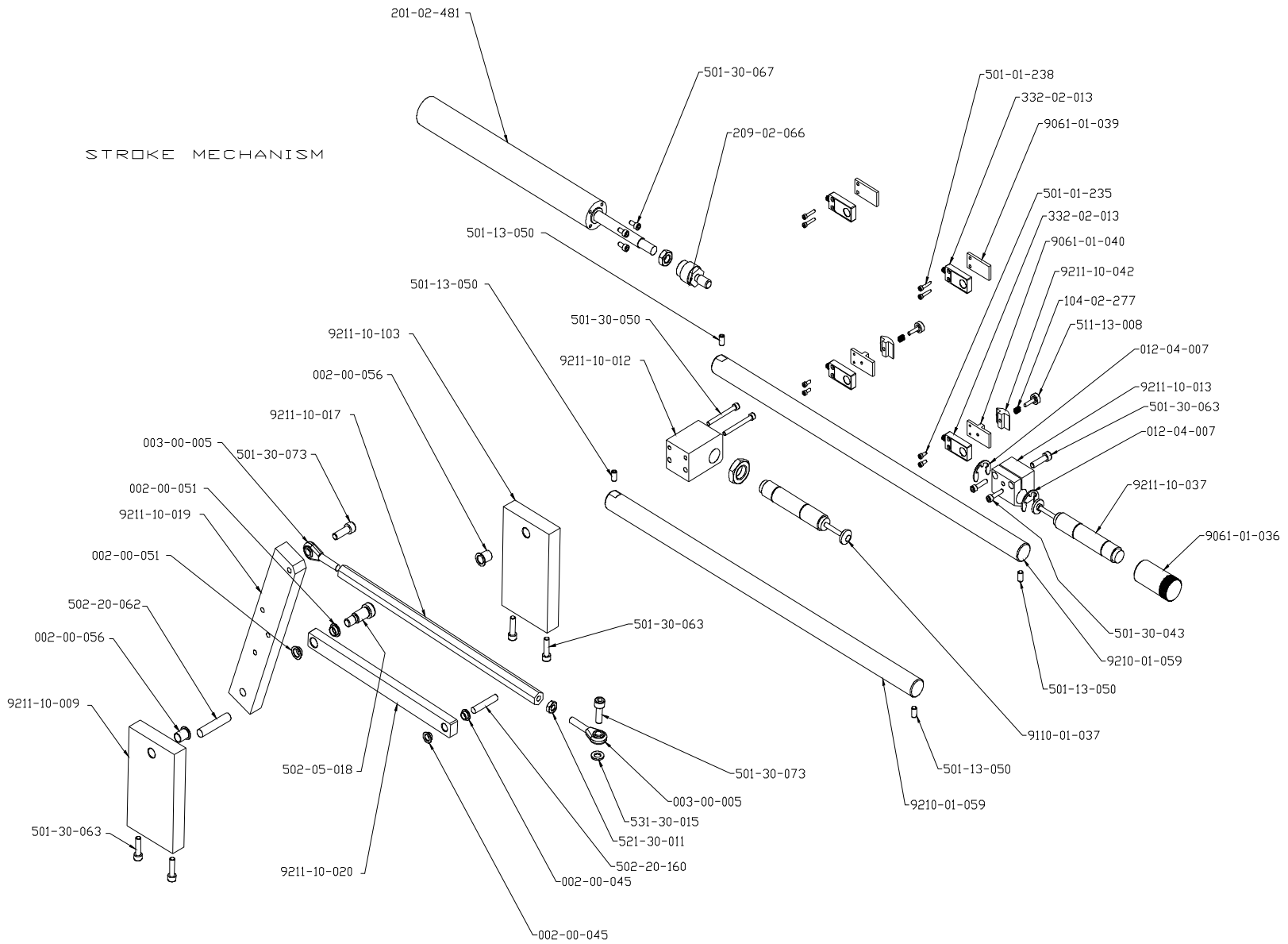


## Stroke Mechanism

Orion 130 rev 2

<b>PART NUMBER</b>	<b>DESCRIPTION</b>
002-00-045	DU BUSHING
002-00-051	DU BUSHING
002-00-056	DU BUSHING
003-00-005	ROD END
012-04-007	C-STYLE EXTERNAL RETAINING RING
104-02-277	SPRING
201-02-481	AIR CYL
209-02-066	FLOATING JOINT
332-02-013	PROX SWITCH
501-01-235	SOCKET HEAD CAP SCREW
501-01-238	SOCKET HEAD CAP SCREW
501-13-050	CUP POINT SET SCREW
501-30-043	SOCKET HEAD CAP SCREW
501-30-050	SOCKET HEAD CAP SCREW
501-30-063	SOCKET HEAD CAP SCREW
501-30-067	SOCKET HEAD CAP SCREW
501-30-073	SOCKET HEAD CAP SCREW
502-05-018	SHOULDER SCREW
502-20-062	HRD. DWL.
502-20-160	DOWEL PIN
511-13-008	THUMB SCREW
521-30-011	HEX NUT
531-30-015	WASHER
9061-01-036	KNOB
9061-01-039	SPACER
9061-01-040	MOUNTING PLATE
9061-01-059	GUIDE SHAFT
9211-10-009	PIVOT RISER, RIGHT
9211-10-012	MOUNTING BLOCK
9211-10-013	MOUNTING BLOCK
9211-10-017	LINK ROD
9211-10-019	DRIVE LEVER
9211-10-020	DOCTOR SLIDE LEVER
9211-10-037	SHOCK ABSORBER
9211-10-042	CLAMP PLATE
9211-10-103	PIVOT RISER, LEFT

STROKE MECHANISM



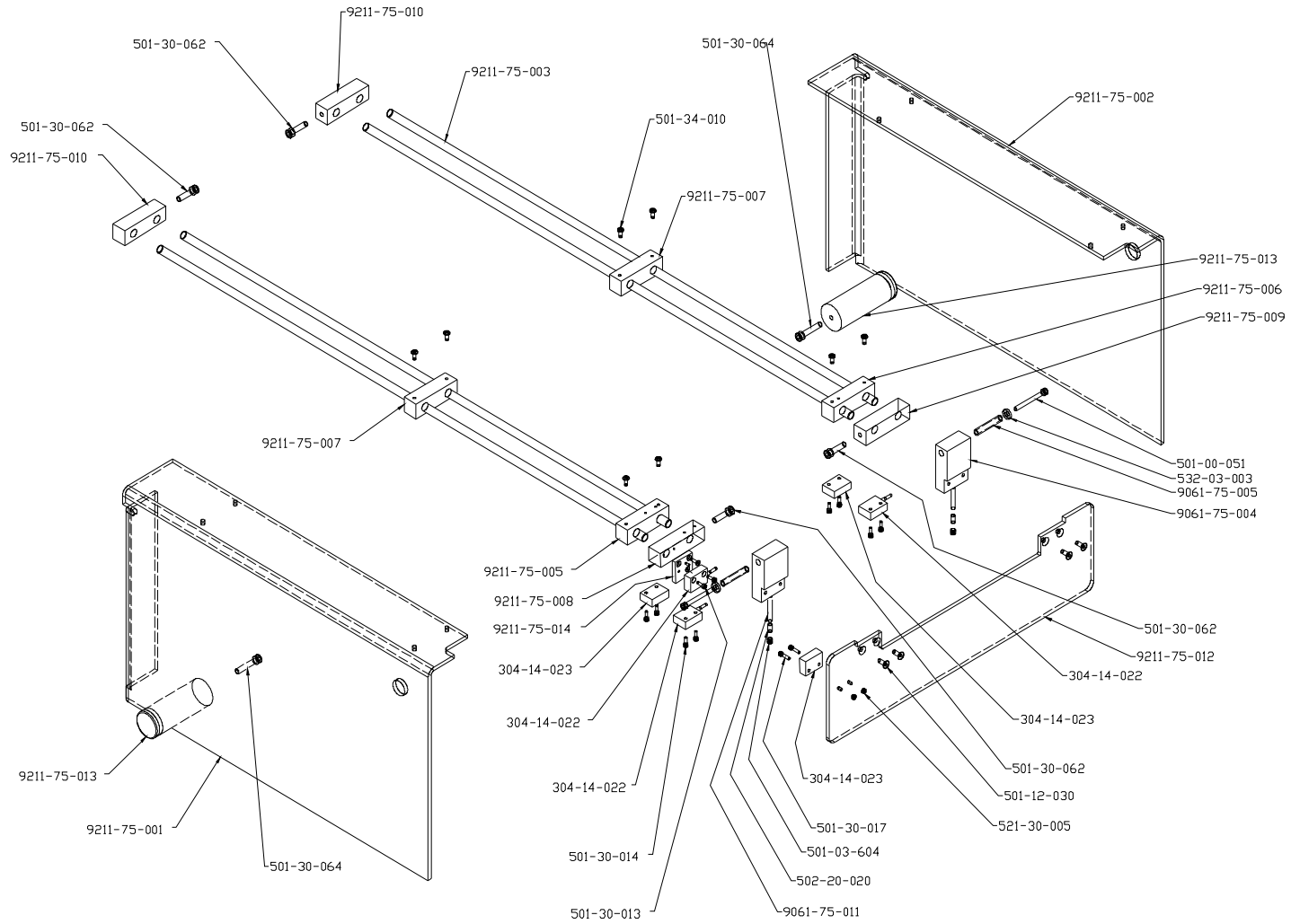
**Guards**

Orion 130 rev 2

<b>PART NUMBER</b>	<b>DESCRIPTION</b>
304-14-022	REAR HEAD-NON CONT SAFETY SW
304-14-023	ACTUATOR NON-CONTACT SAFETY SW
501-00-051	SOCKET HEAD CAP SCREW
501-03-604	SET SCREW
501-12-030	FLAT HEAD CAP SCREW
501-30-013	SOCKET HEAD CAP SCREW
501-30-014	SOCKET HEAD CAP SCREW
501-30-017	SOCKET HEAD CAP SCREW
501-30-062	SOCKET HEAD CAP SCREW
501-30-064	SOCKET HEAD CAP SCREW
501-34-010	BUTTON HEAD CAP SCREW
502-20-020	DOWEL PIN
521-30-005	HEX NUT
532-03-003	HARDENED WASHER
9061-75-004	PIVOT BLOCK
9061-75-005	PIVOT SLEEVE
9061-75-011	PIVOT TENSION PIN
9211-75-001	GUARD L.H.
9211-75-002	GUARD R.H.
9211-75-003	ROD
9211-75-005	PLATE, SAFETY GUARD MTG #1
9211-75-006	PLATE, SAFETY GUARD MTG #3
9211-75-007	PLATE, SAFETY GUARD MTG #2
9211-75-008	PLATE, END, PROX MTG #2
9211-75-009	PLATE, END, PROX MTG #2
9211-75-010	PLATE, END
9211-75-012	FRONT GUARD
9211-75-013	SUPPORT, GUARD
9211-75-014	PLATE, SAFETY SWITCH MTG

Orion 130 rev 2

GUARDING

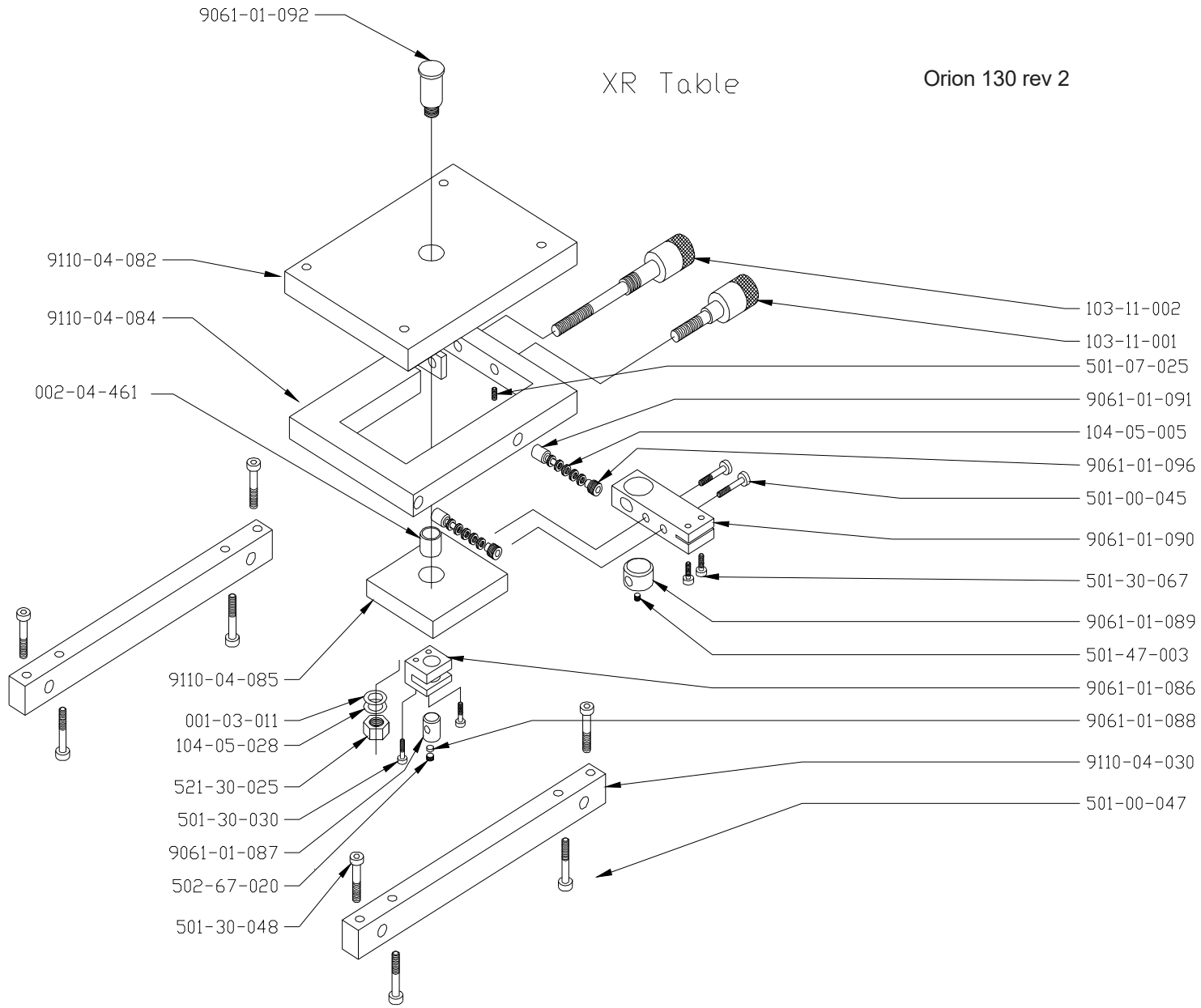


**X-R Table - OPTIONAL**

Orion 130 rev 2

001-03-011	THRUST WASHER
002-04-461	BUSHING
103-11-001	MICROMETER, X
103-11-002	MICROMETER, R
104-05-005	SPRING WASHER
104-05-028	SPRING WASHER
501-00-045	SOCKET HEAD CAP SCREW
501-00-047	SOCKET HEAD CAP SCREW
501-07-025	SET SCREW
501-30-030	SOCKET HEAD CAP SCREW
501-30-048	SOCKET HEAD CAP SCREW
501-30-067	SOCKET HEAD CAP SCREW
501-47-003	FLAT POINT SET SCREW
502-67-020	HOLLOW LOCK SET SCREW
521-30-025	HEX NUT
9061-01-086	PIVOT BLOCK
9061-01-087	PIVOT PIN
9061-01-088	PRESSURE PLUG
9061-01-089	SLIDE PIN
9061-01-090	ADJUST BLOCK
9061-01-091	PRESSURE PIN
9061-01-092	SHAFT
9061-01-096	ADJUSTABLE SCREW
9110-04-030	SPACER
9110-04-082	TOP PLATE
9110-04-084	CENTER PLATE
9110-04-085	TABLE SLIDE





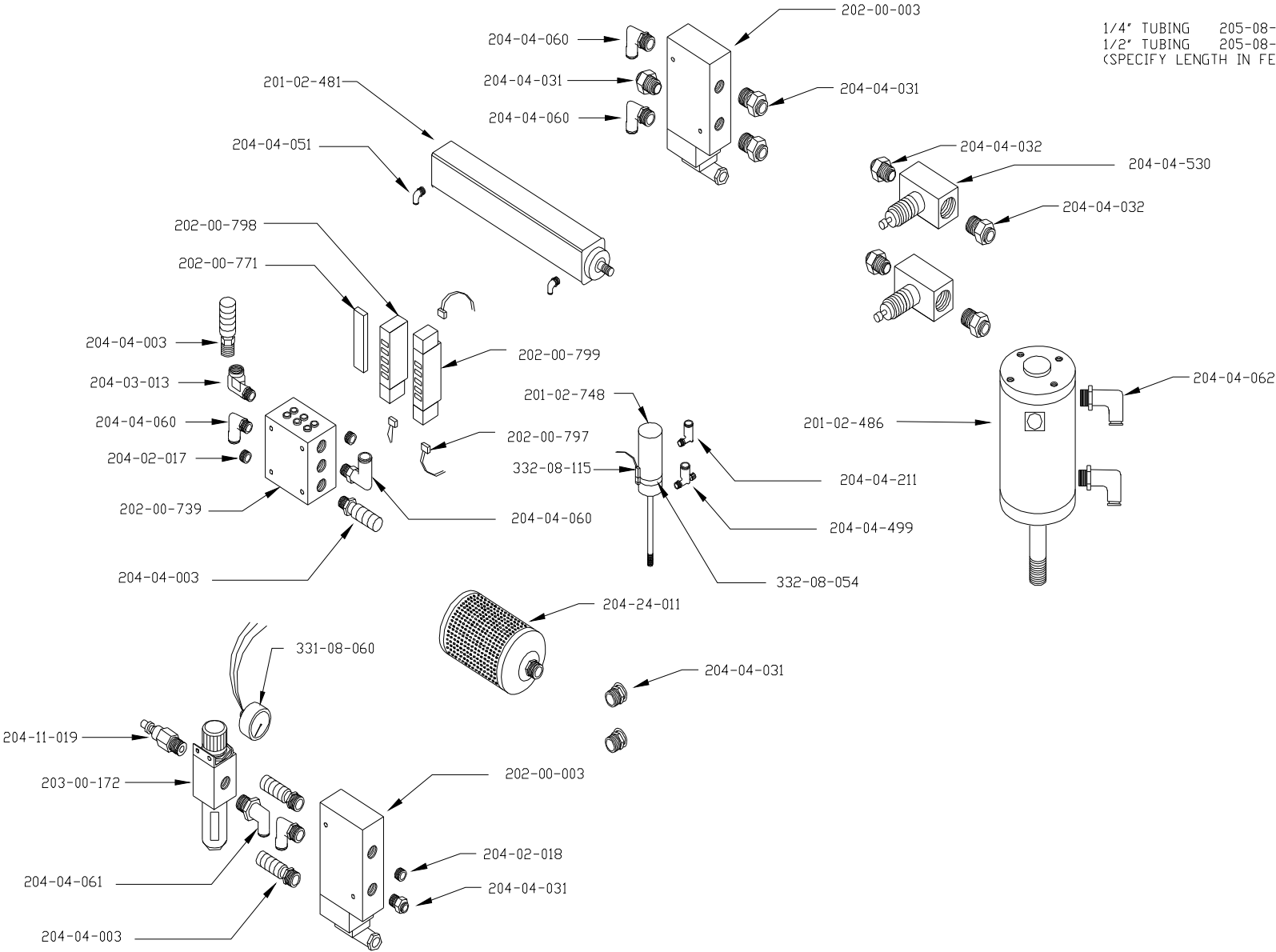
**Pneumatics**

Orion 130 rev 2

201-02-481	CYLINDER
201-02-486	CYLINDER
201-02-748	CYLINDER
202-00-003	VALVE, MAIN ON/OFF AND PAD RAM
202-00-739	MANIFOLD
202-00-771	BLANKING PLATE
202-00-797	CABLE FOR VALVES
202-00-798	VALVE, 2 POS, SINGLE SOL
202-00-799	VALVE, 3 POS, DOUBLE SOL
203-00-172	FILTER REGULATOR
204-02-017	PIPE PLUG
204-02-018	PIPE PLUG
204-04-003	MUFFLER
204-04-031	CONNECTOR, MALE
204-04-032	CONNECTOR, MALE
204-04-051	ELBOW, MALE
204-04-060	ELBOW, MALE
204-04-062	ELBOW, MALE
204-04-211	ELBOW, MALE
204-04-499	FLOW CONTROL
204-04-530	FLOW CONTROL
204-24-011	EXHAUST FILTER
331-08-060	PRESSURE SWITCH
332-08-054	SWITCH MOUNTING KIT
332-08-115	CYLINDER SWITCH

PNEUMATICS

1/4" TUBING 205-08-007  
1/2" TUBING 205-08-008  
(SPECIFY LENGTH IN FEET)

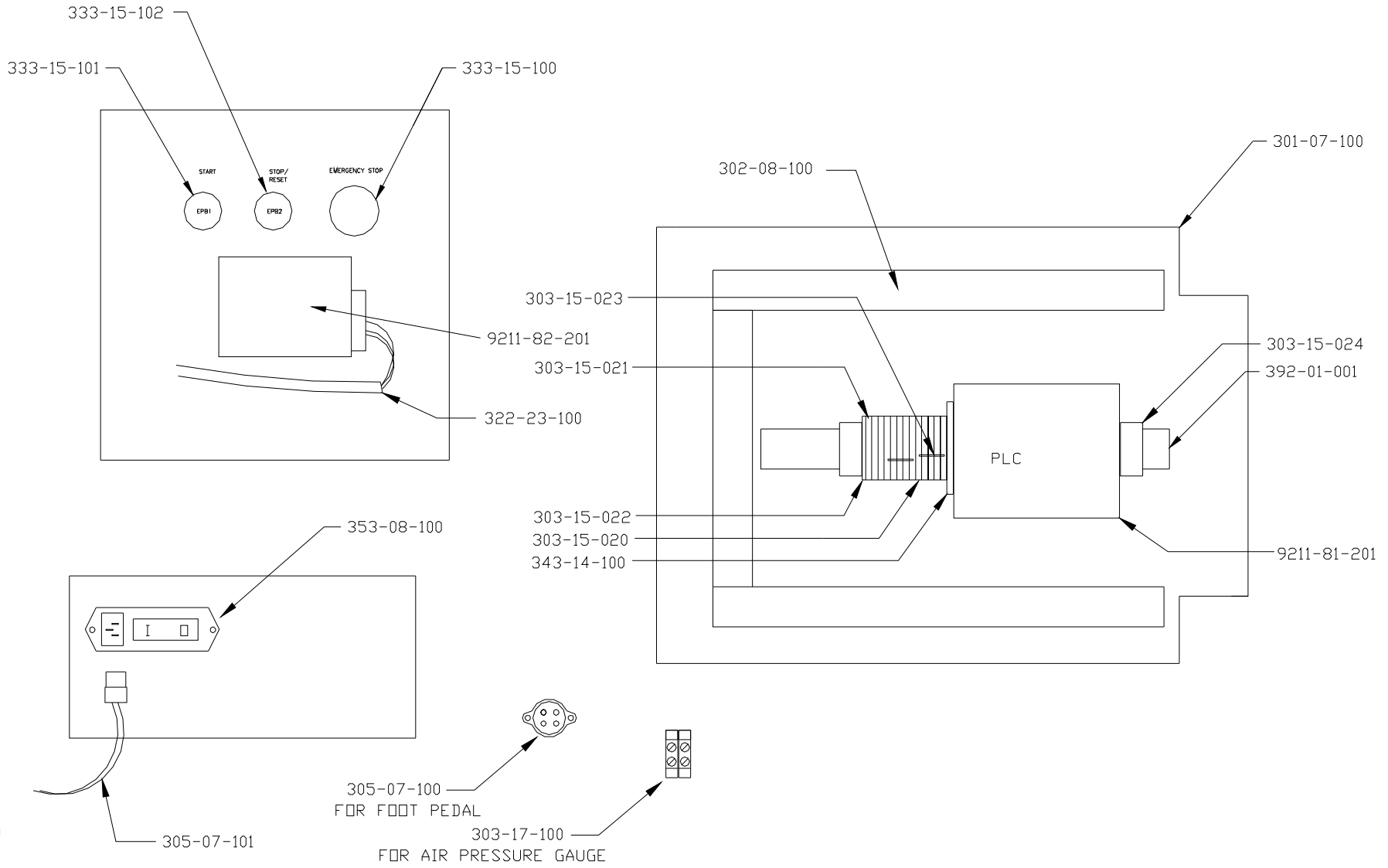


**ELECTRICAL**

Orion 130 rev 2

301-07-100	PANEL
302-08-100	WIRE WAY
303-15-020	BLUE TERMINAL
303-15-021	GROUND TERMINAL
303-15-022	END PLATE
303-15-023	JUMPER (CROSS-CONNECTOR)
303-15-024	END CLAMP
303-17-100	CONN TERIMINAL STRIP 8 POS
305-07-100	RECEPTACLE 3 PIN (FEMALE)
305-07-101	POWER CORD ,SHEILDED (10A) 9'-10"
322-23-100	CABLE
333-15-100	MUSHROOM HEAD PUSHBUTTON
333-15-101	PUSH BUTTON, FLUSH, GREEN
333-15-102	PUSH BUTTON, FLUSH, RED
343-14-100	24VDC RELAY
353-08-100	PEM CIRCUIT BREAKER
391-01-001	2 COND. 18GA CABLE
392-01-001	DIN RAIL
9211-81-201	PROGRAMMED PLC
9211-82-201	PROGRAMMED TOUCH SCREEN

# ELECTRICAL



1 rev 2

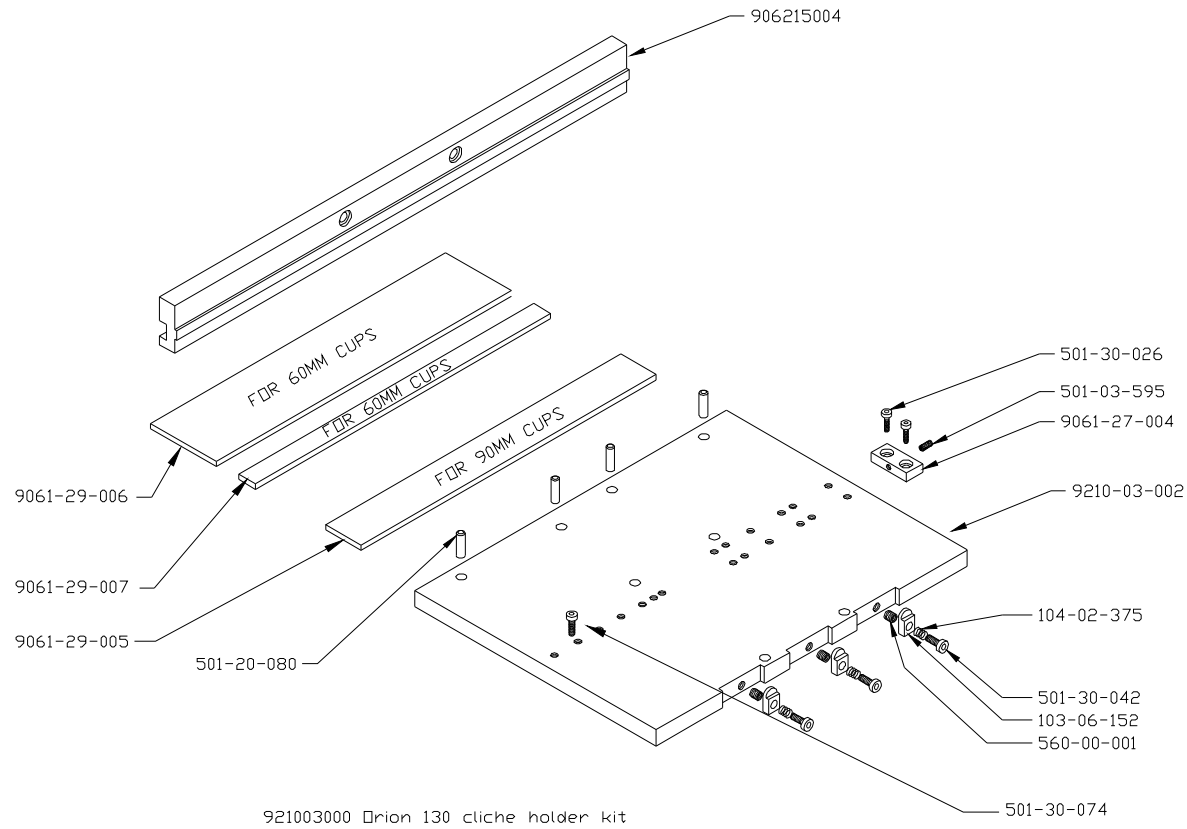
**CLICHE/CUP HOLDER ACCESSORIES**

Orion 130 rev 2

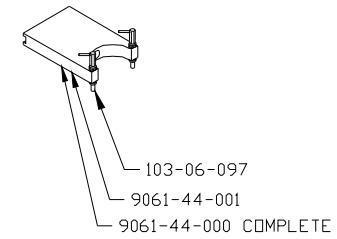
<b>9210-03-000</b>	<b>CLICHÉ HOLDER ASSEMBLY - ORION 130</b>
103-06-152	CLAMP, ROUND END
104-02-375	SPIRNG
501-03-595	SET SCREW
501-20-080	DOWEL PIN
501-30-026	SOCKET HEAD CAP SCREW M5X12
501-30-042	SOCKET HEAD CAP SCREW M6X20
501-30-074	SOCKET HEAD CAP SCREW M6X12
560-00-001	THREADED INSERT
9061-26-006	BACK SPACER - 90MM CUP
9061-27-004	STOP BLOCK
9061-29-007	FRONT SPACER - 60MM CUP
9210-03-002	CLICHÉ HOLDER - ORION 130
<b>9061-44-000</b>	<b>CUP HOLDER ASSEMBLY ORION/COMBI 90-130</b>
103-06-097	PLUNGER
9061-44-001	COMBI/ORION 90/130,60MM CUP HOLDER
<b>9061-45-000</b>	<b>CUP HOLDER ASSEMBLY ORION/COMBI 90-130</b>
103-06-097	PLUNGER
9061-45-001	COMBI/ORION 90/130,90MM CUP HOLDER
<b>9061-46-000</b>	<b>CUP HOLDER ASSEMBLY ORION/COMBI 90-130</b>
103-06-097	PLUNGER
9061-46-001	COMBI/ORION 90/130,130MM CUP HOLDER
<b>9062-15-004</b>	<b>UNIVERSAL CUP MOUNTING BAR, ORION/COMBI</b>

## CLICHE/CUP HOLDER ACCESSORIES

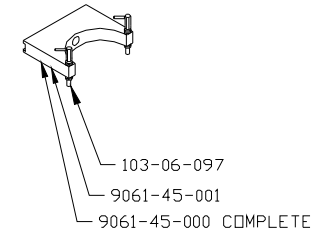
Orion 130 rev 2



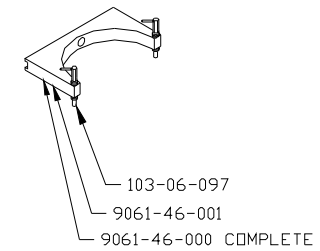
FDR 60MM CUP / SPACEFRAME



FDR 90MM CUP / SPACEFRAME



FDR 130MM CUP / SPACEFRAME



## INK CUP / SPACEFRAME ACCESSORIES

Orion 130 rev 2

<b>926011000</b>	<b>REDSTAR MULTICUP, 60MM MAGNETIC W/STEEL RING</b>	926010004 EXPRESS LINER, 60MM (100 Pack)
91292A206	SOCKET HEAD CAP SCREW M8X12 SS	926020004 EXPRESS LINER, 90MM SHORT (100 Pack)
521-00-004	HEX NUT M8X1, ZP	926020005 EXPRESS LINER, 90MM TALL (100 Pack)
9559K152	ORING SEAL	926030003 EXPRESS LINER, 130MM (100 Pack)
926010001	REDSTAR MULTICUP 60MM RAW CUP BODY	
926018000	MAGNET ASSEMBLY FOR 60MM REDSTAR INK CUP	926010003 60MM CERAMIC DOCTOR RING
2901702	SEAL FOR 60MM INK CUP	926020003 90MM CERAMIC DOCTOR RING
10903003	60MM STEEL DOCTOR RING	926030002 130MM CERAMIC DOCTOR RING
<b>926017000</b>	<b>SPACEFRAME ASSEMBLY, MAGNETIC, W/60MM STEEL RING</b>	
10903003	60MM STEEL DOCTOR RING	
<b>926021000</b>	<b>REDSTAR MULTICUP, 90MM MAGNETIC W/STEEL RING</b>	
91292A206	SOCKET HEAD CAP SCREW M8X12 SS	
521-00-004	HEX NUT M8X1, ZP	
9559K152	ORING SEAL	
926020001	REDSTAR MULTICUP 90MM RAW CUP BODY	
926020006	MAGNET ASSEMBLY FOR 90MM REDSTAR INK CUP	
2902702	SEAL FOR 90MM INK CUP	
10902002	90MM STEEL DOCTOR RING	
<b>926027000</b>	<b>SPACEFRAME ASSEMBLY, MAGNETIC, W/90MM STEEL RING</b>	
10902002	90MM STEEL DOCTOR RING	
<b>926031000</b>	<b>REDSTAR MULTICUP, 130MM MAGNETIC W/STEEL RING</b>	
91292A206	SOCKET HEAD CAP SCREW M8X12 SS	
521-00-004	HEX NUT M8X1, ZP	
9559K152	ORING SEAL	
926030001	REDSTAR MULTICUP 130MM RAW CUP BODY	
926030005	MAGNET ASSEMBLY FOR 130MM REDSTAR INK CUP	
2903702	SEAL FOR 130MM INK CUP	
10905002	130MM STEEL DOCTOR RING	
<b>926039000</b>	<b>SPACEFRAME ASSEMBLY, MAGNETIC, W/130MM STEEL RING</b>	
10905002	130MM STEEL DOCTOR RING	



## INK CUP / SPACEFRAME ACCESSORIES

