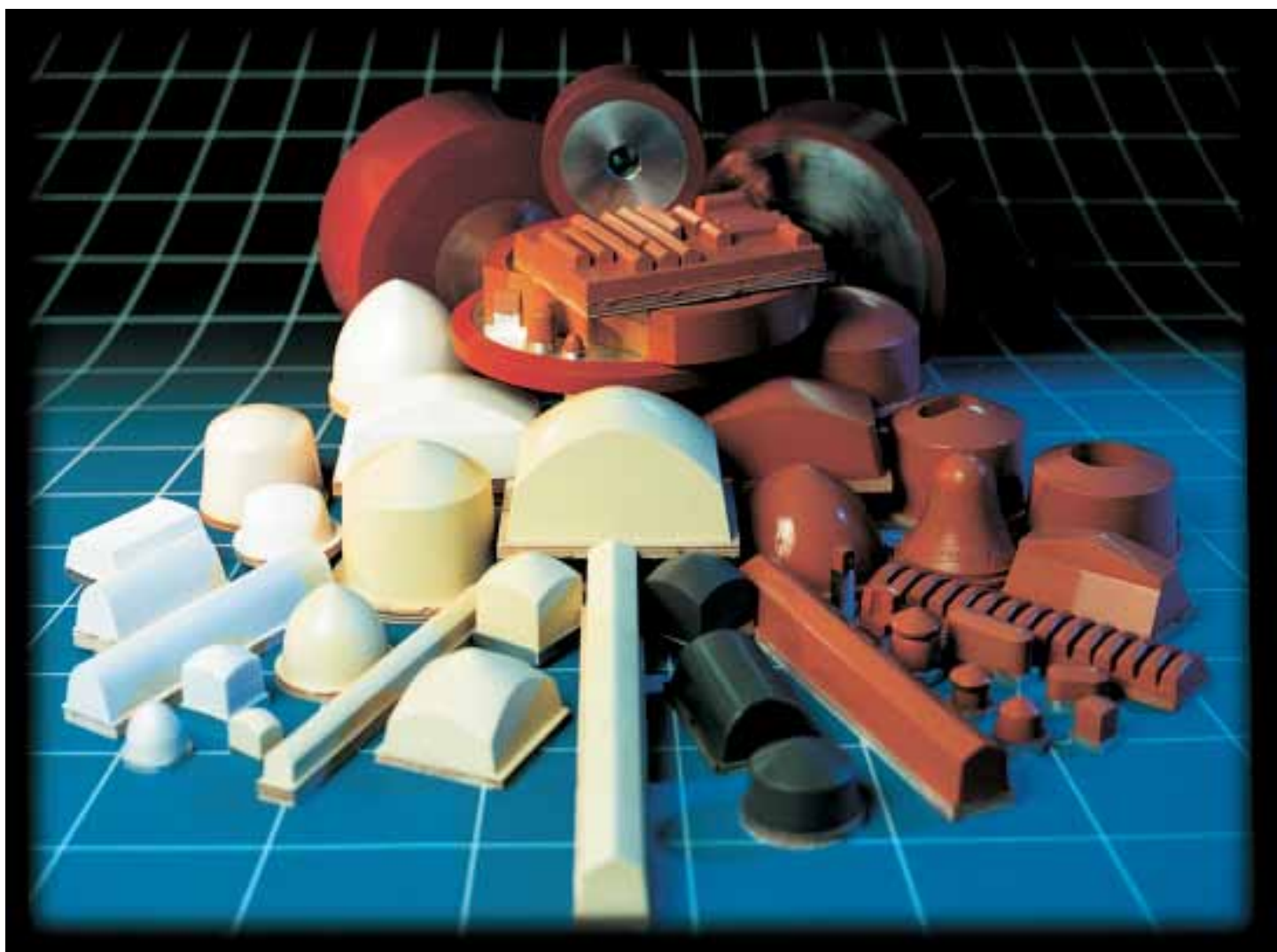


# Silicone Rubber Transfer Printing Pads

## Catalog

*Complete Pad Printing Solutions*



*Standard In-Stock Pads*

**Notes on Ordering Printing Pads:**

The pads shown in this catalog represent only the most popular shapes and sizes in the ITW Trans Tech line. They are all standard, in-stock items. Many others are available on request as special order pads. Contact your ITW Trans Tech consumables representative for further details and recommendations. *To view any pad listed below, click on the pad number.*

**INDEX**

Pad Shape	Mold Number	Page
ROUND .....	P-266 .....	4
ROUND .....	P-271 .....	4
ROUND .....	P-277 .....	4
ROUND .....	P-405 .....	4
ROUND .....	P-406 .....	4
ROUND .....	P-440 .....	4
ROUND .....	P-464 .....	5
ROUND .....	P-469 .....	5
ROUND .....	P-617 .....	5
ROUND .....	P-664 .....	5
ROUND .....	P-669 .....	5
ROUND .....	P-700 .....	5
ROUND .....	P-719 .....	6
ROUND .....	P-722 .....	6
ROUND .....	S-028 .....	6
ROUND .....	S-035 .....	6
ROUND .....	S-043 .....	6
ROUND .....	S-053 .....	6
ROUND .....	S-055 .....	7
ROUND .....	S-060 .....	7
ROUND .....	S-111 .....	7
ROUND .....	S-116 .....	7
ROUND .....	S-226 .....	7
ROUND .....	S-332 .....	7
ROUND .....	S-367 .....	8
ROUND .....	S-388 .....	8
ROUND .....	S-390 .....	8
ROUND .....	S-394 .....	8

**INDEX**

Pad Shape	Mold Number	Page
ROUND .....	S-396 .....	8
ROUND .....	S-410 .....	8
ROUND .....	S-415 .....	9
ROUND .....	S-450 .....	9
ROUND .....	S-643 .....	9
ROUND .....	S-650 .....	9
ROUND .....	U-008 .....	9
ROUND .....	U-009 .....	9
ROUND .....	U-020 .....	10
ROUND .....	U-047 .....	10
ROUND .....	U-072 .....	10
SQUARE .....	P-089 .....	11
SQUARE .....	P-122 .....	11
SQUARE .....	P-324 .....	11
SQUARE .....	P-349 .....	11
SQUARE .....	P-365 .....	11
SQUARE .....	P-379 .....	11
SQUARE .....	P-381 .....	12
SQUARE .....	P-450 .....	12
SQUARE .....	P-467 .....	12
SQUARE .....	P-485 .....	12
SQUARE .....	P-492 .....	12
SQUARE .....	P-646 .....	12
SQUARE .....	S-131 .....	13
SQUARE .....	S-250 .....	13
SQUARE .....	S-318 .....	13
SQUARE .....	S-358 .....	13

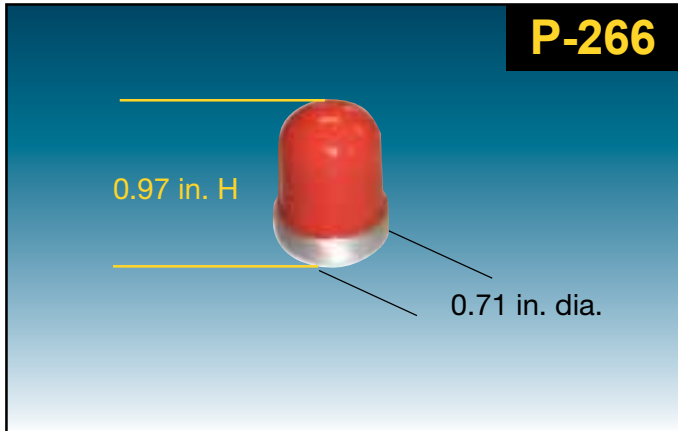
**INDEX**

Pad Shape	Mold Number	Page
SQUARE .....	S-366 .....	13
SQUARE .....	S-372 .....	13
SQUARE .....	S-373 .....	14
SQUARE .....	S-374 .....	14
SQUARE .....	S-383 .....	14
SQUARE .....	S-424 .....	14
SQUARE .....	S-648 .....	14
SQUARE .....	U-013 .....	14
SQUARE .....	U-545 .....	15
SQUARE .....	U-1344 .....	15

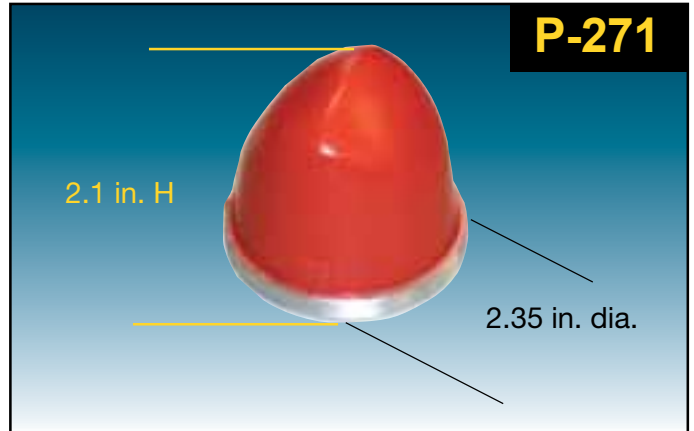
**INDEX**

Pad Shape	Mold Number	Page
BAR .....	P-269 .....	16
BAR .....	P-385 .....	16
BAR .....	S-066 .....	16
BAR .....	S-063 .....	16
BAR .....	S-208 .....	16
BAR .....	S-211 .....	16
BAR .....	S-381 .....	17
BAR .....	S-395 .....	17
BAR .....	S-401 .....	17
BAR .....	S-404 .....	17
BAR .....	S-408 .....	17
BAR .....	U-066 .....	17
BAR .....	U-156 .....	18

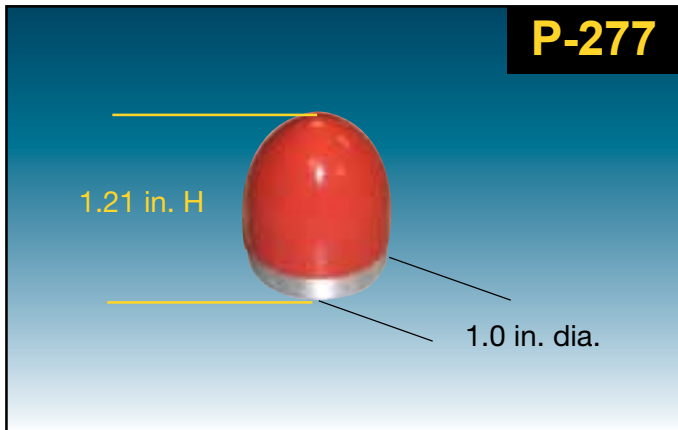
Standard In-Stock Pads - 4



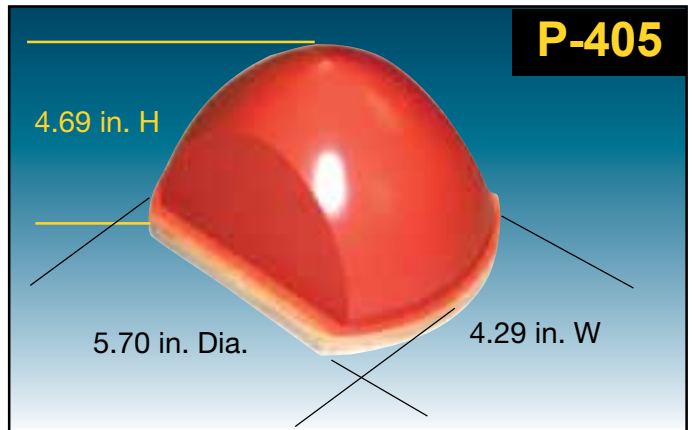
Mold: P-266 Base Alum. Shape: "Round"  
 Base Size: 0.71 in. dia. Total Pad Height: 0.95 in.  
 Mounting Hole: threaded M5



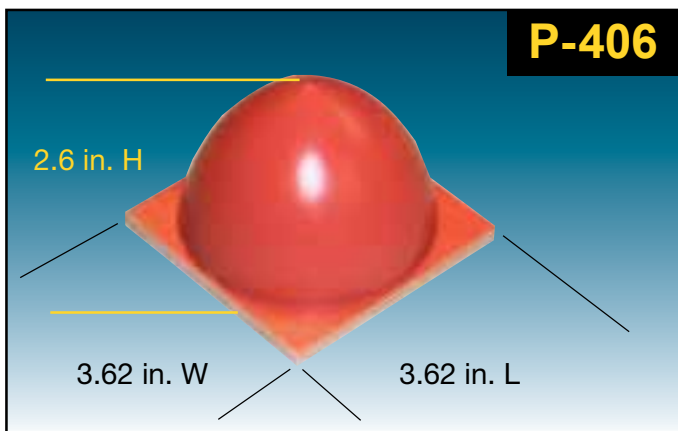
Mold: P-271 Base Alum. Shape: "Round"  
 Base Size: 2.35 in. dia. Total Pad Height: 2.1 in.  
 Mounting Hole: threaded M6



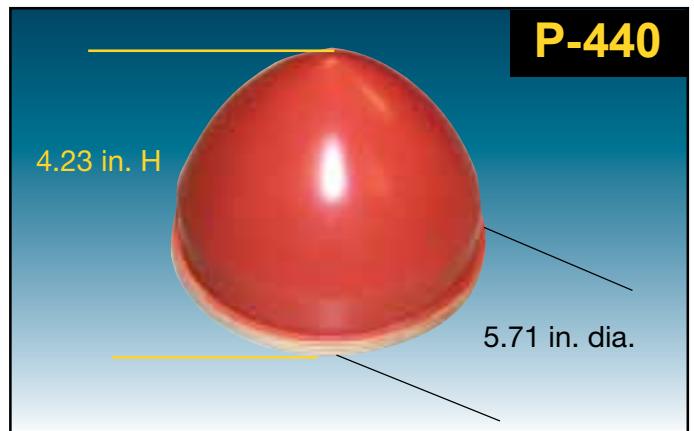
Mold: P-277 Base Alum. Shape: "Round"  
 Base Size: 1.0 in. dia. Total Pad Height: 1.21 in.  
 Mounting Hole: threaded M6



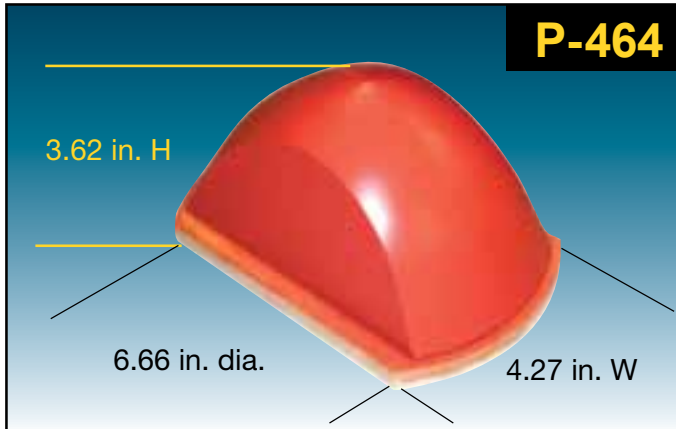
Mold: P-405 Base Ply. Shape: "Round"  
 Base Size: 5.70 D x 4.29 W Total Pad Height: 4.69 in.  
 Mounting Hole: none



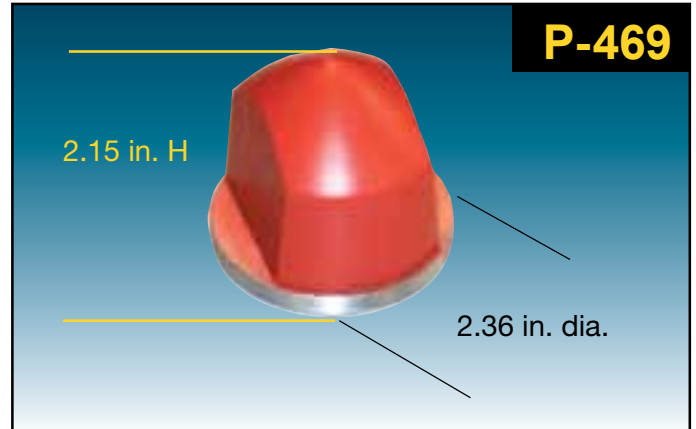
Mold: P406 Base Ply. Shape: "Round"  
 Base Size: 3.62 L x 3.62 W Total Pad Height: 2.6  
 Mounting Hole: none



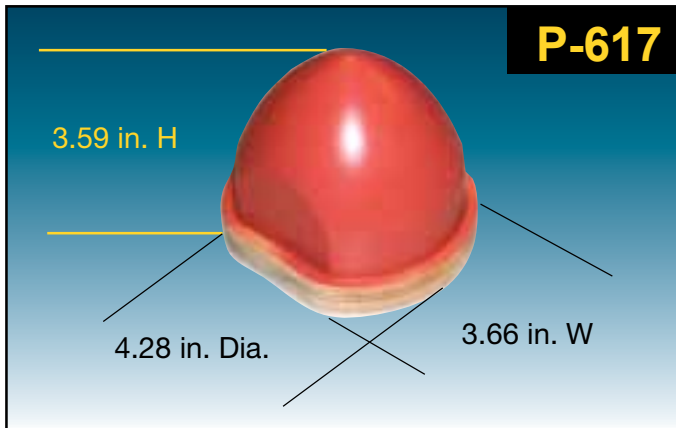
Mold: P-440 Base Ply. Shape: "Round"  
 Base Size: 5.71 in. dia. Total Pad Height: 4.23 in.  
 Mounting Hole: none



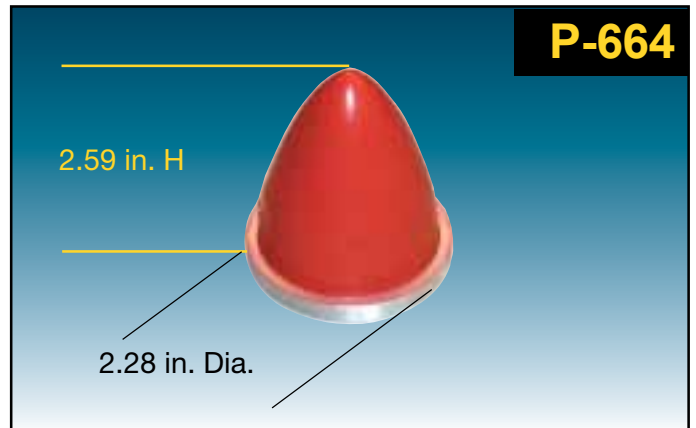
Mold: P-464 Base Ply. Shape: "Round"  
 Base Size: 6.66 D x 4.27 W Total Pad Height: 3.62 in.  
 Mounting Hole: none



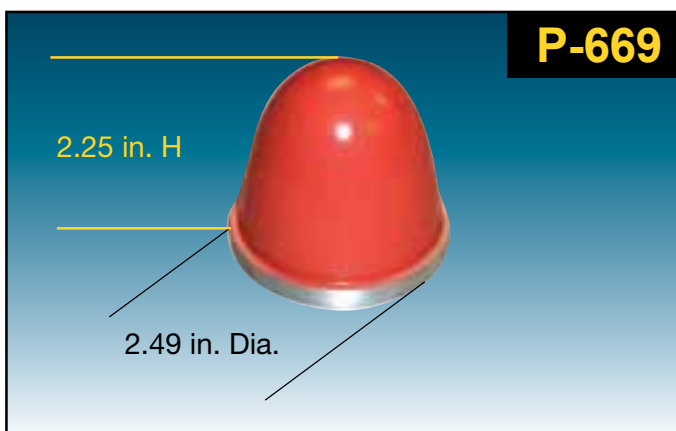
Mold: P-469 Base Alum. Shape: "Round"  
 Base Size: 2.36 in. dia. Total Pad Height: 2.15 in.  
 Mounting Hole: threaded M6



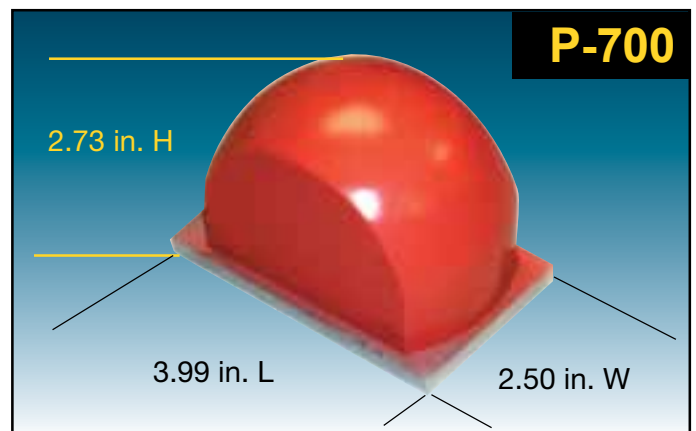
Mold: P-617 Base Ply. Shape: "Round"  
 Base Size: 4.28 in D x 3.66 W Total Pad Height: 3.59 in.  
 Mounting Hole: threaded 3/8-16



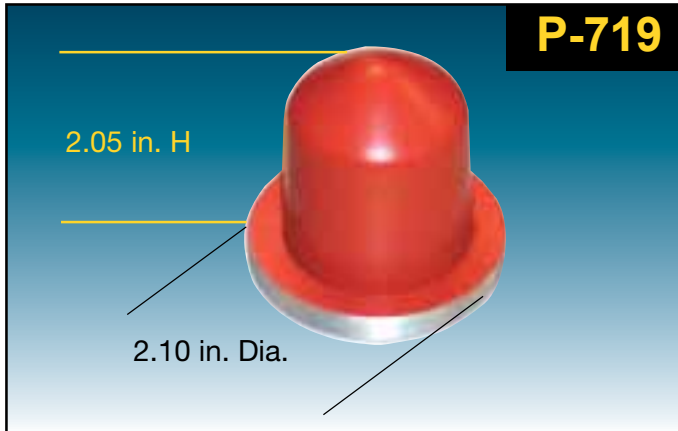
Mold: P-664 Base Alum. Shape: "Round"  
 Base Size: 2.28 in. D Total Pad Height: 2.59 in.  
 Mounting Hole: M6



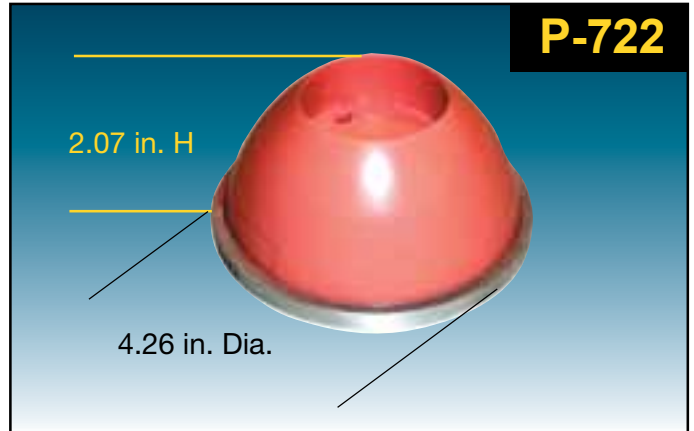
Mold: P-669 Base Alum. Shape: "Round"  
 Base Size: 2.49 in. D Total Pad Height: 2.25 in.  
 Mounting Hole: threaded 1/4-20



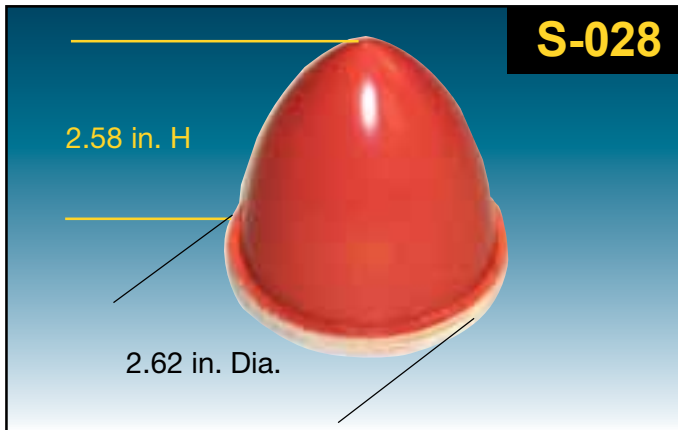
Mold: P-700 Base Alum. Shape: "Round"  
 Base Size: 3.99 L x 2.50 W Total Pad Height: 2.73 in.  
 Mounting Hole: threaded 1/4-20



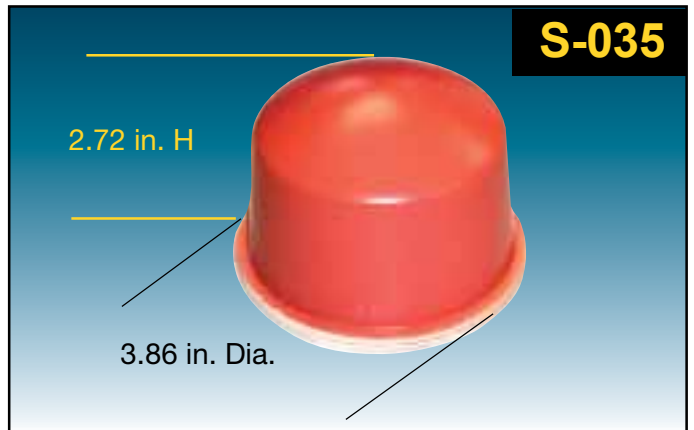
Mold: P-719 Base Alum. Shape: "Round"  
Base Size: 2.10 in. D Total Pad Height: 2.05 in.  
Mounting Hole: 6M



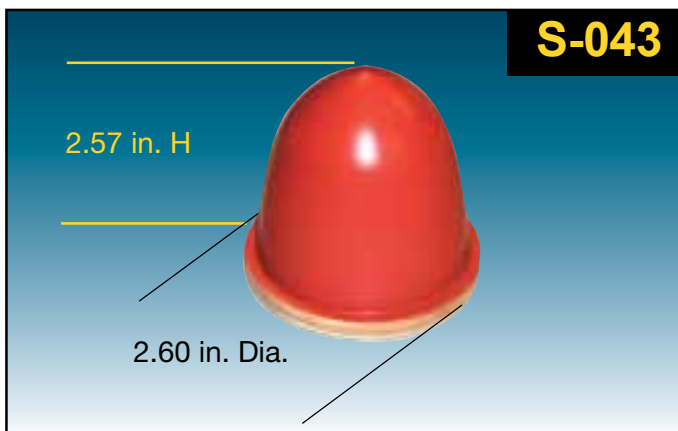
Mold: P-722 Base Alum. Shape: "Round"  
Base Size: 4.26 in. D Total Pad Height: 2.07 in.  
Mounting Hole: 3/8-16



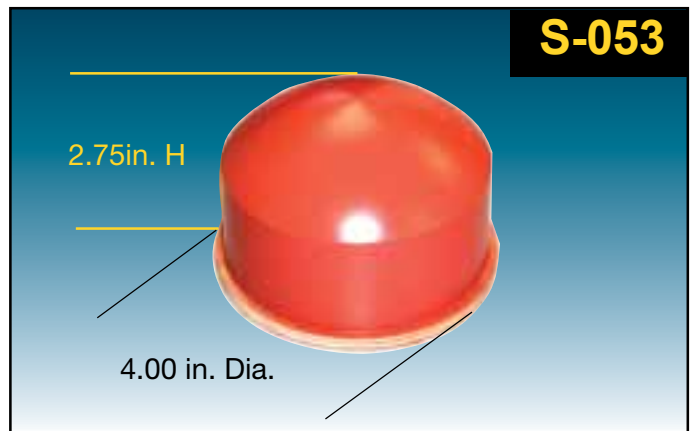
Mold: S-028 Base Ply. Shape: "Round"  
Base Size: 2.62 in. D Total Pad Height: 2.58 in.  
Mounting Hole: none



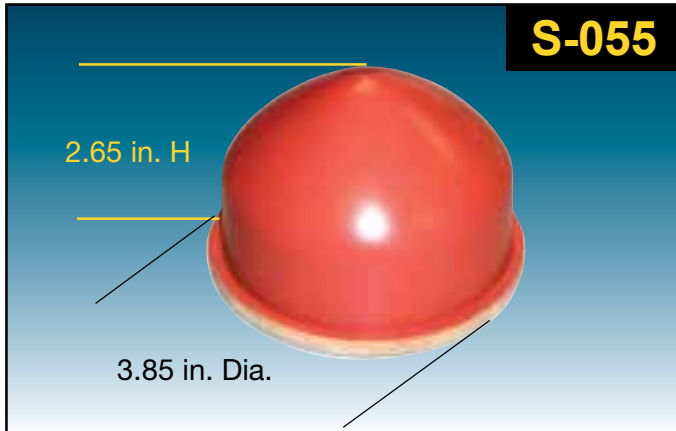
Mold: S-035 Base Ply. Shape: "Round"  
Base Size: 3.86 in. D Total Pad Height: 2.72 in.  
Mounting Hole: none



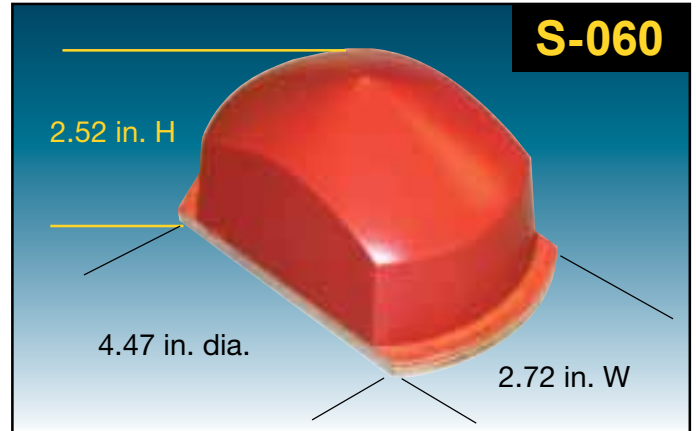
Mold: S-043 Base Ply. Shape: "Round"  
Base Size: 2.60 in. D Total Pad Height: 2.57 in.  
Mounting Hole: none



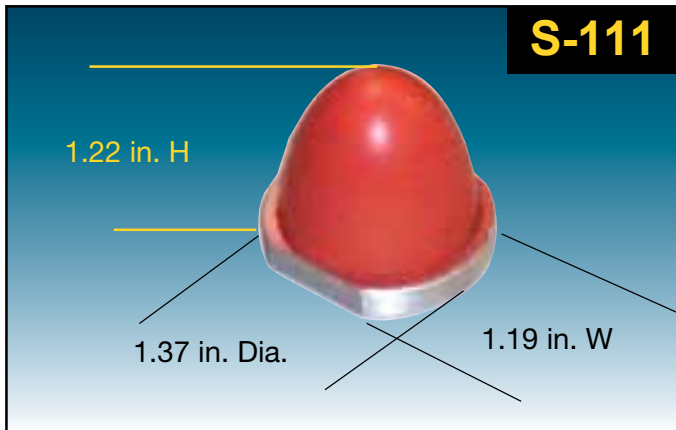
Mold: S-053 Base Ply. Shape: "Round"  
Base Size: 4.00 in. D Total Pad Height: 2.75 in.  
Mounting Hole: none



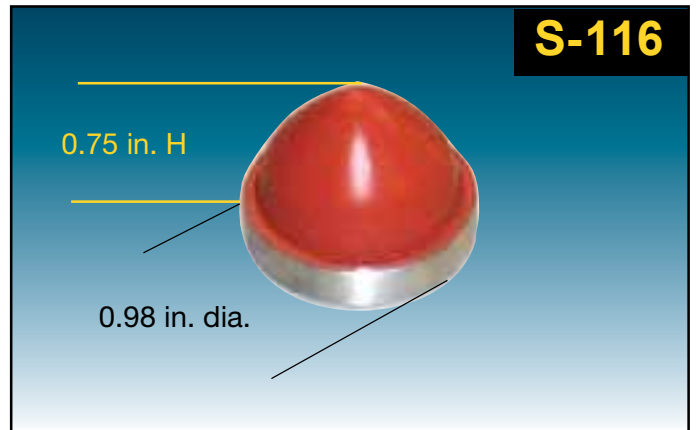
Mold: S-055 Base Ply. Shape: "Round"  
 Base Size: 3.85 in. D Total Pad Height: 2.65 in.  
 Mounting Hole: none



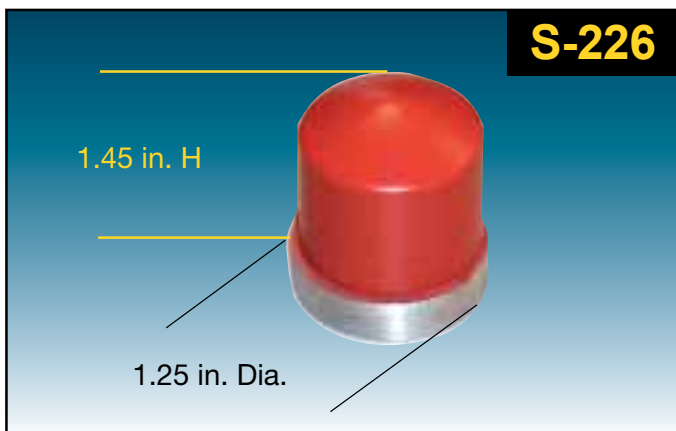
Mold: S-060 Base Ply. Shape: "Round"  
 Base Size: 4.47 D x 2.72 W Total Pad Height: 2.52 in.  
 Mounting Hole: none



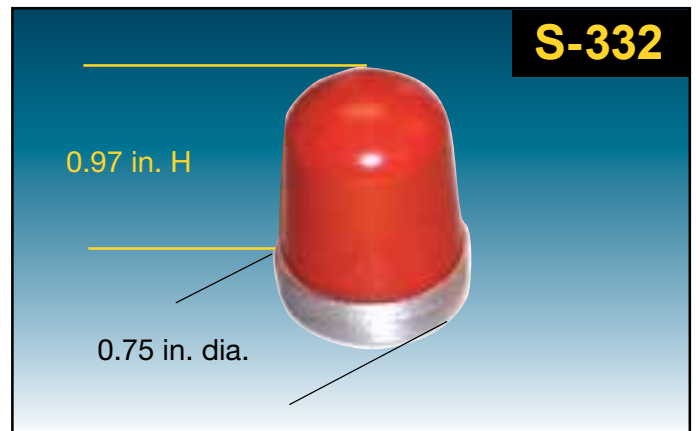
Mold: S-111 Base Alum. Shape: "Round"  
 Base Size: 1.37 D x 1.19 W Total Pad Height: 1.22 in.  
 Mounting Hole: M6



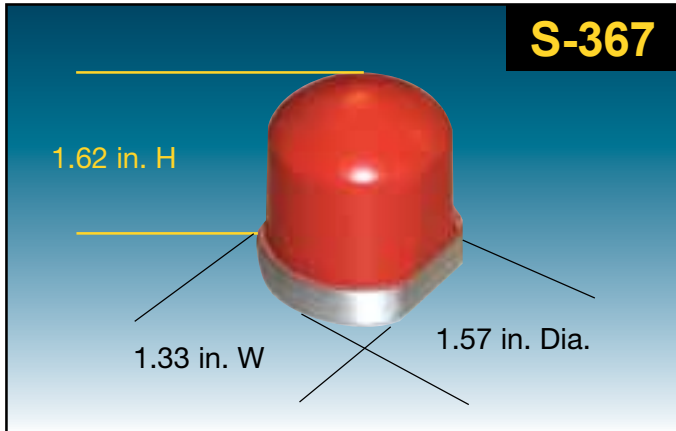
Mold: S-116 Base Alum. Shape: "Round"  
 Base Size: 0.98 in. D Total Pad Height: 0.75 in.  
 Mounting Hole: M6



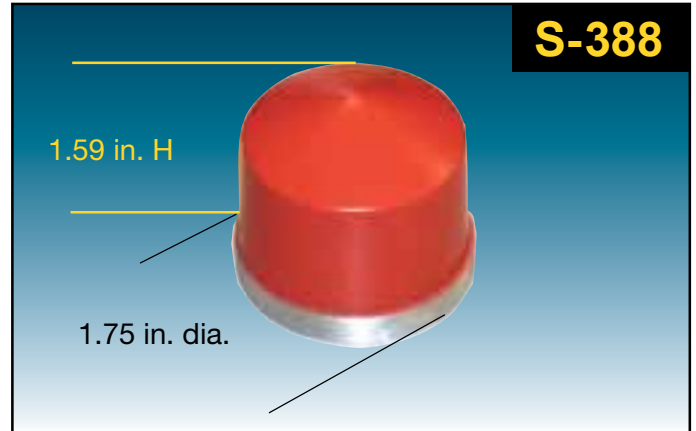
Mold: S-226 Base Alum. Shape: "Round"  
 Base Size: 1.25 in. D Total Pad Height: 1.45 in.  
 Mounting Hole: M6



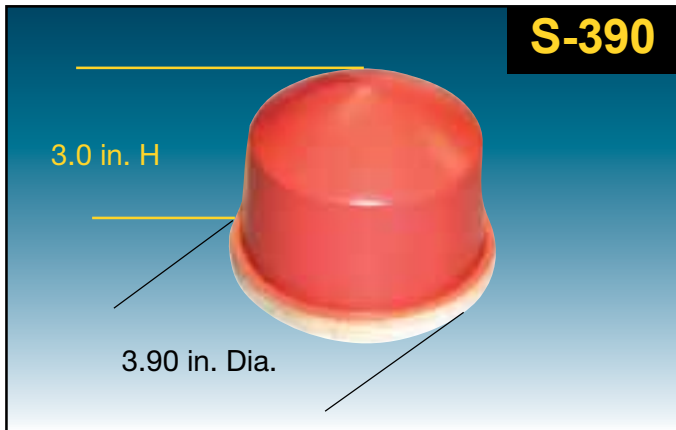
Mold: S-332 Base Ply. Shape: "Round"  
 Base Size: 0.75 in. D Total Pad Height: 0.97 in.  
 Mounting Hole: M5



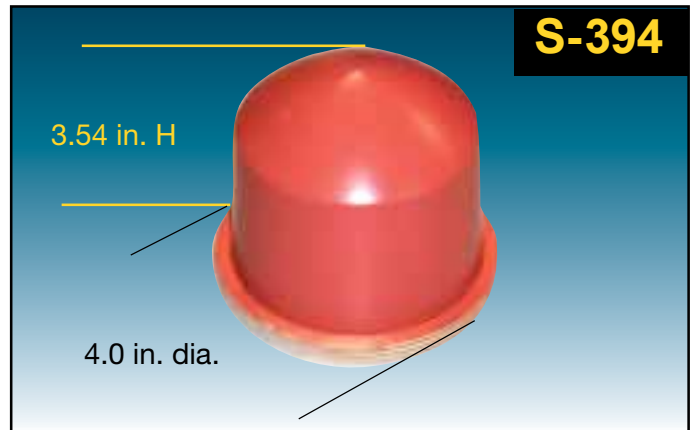
Mold: S-367 Base: Alum. Shape: "Round"  
 Base Size: 1.57 D x 1.33 W Total Pad Height: 1.62 in.  
 Mounting Hole: M6



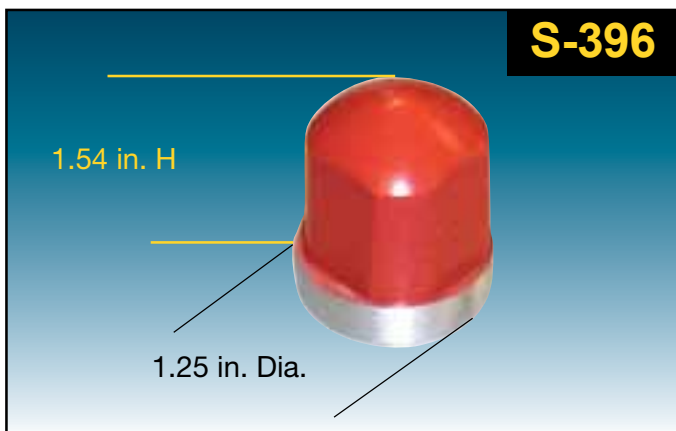
Mold: S-388 Base: Alum. Shape: "Round"  
 Base Size: 1.75 in. D Total Pad Height: 1.59 in.  
 Mounting Hole: M6



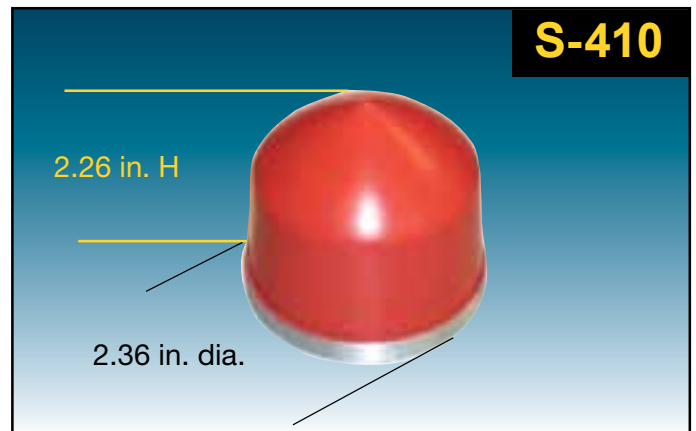
Mold: S-390 Base: Ply. Shape: "Round"  
 Base Size: 3.90 in. D Total Pad Height: 3.0 in.  
 Mounting Hole: none



Mold: S-394 Base: Ply. Shape: "Round"  
 Base Size: 4.0 in. D Total Pad Height: 3.54 in.  
 Mounting Hole: none

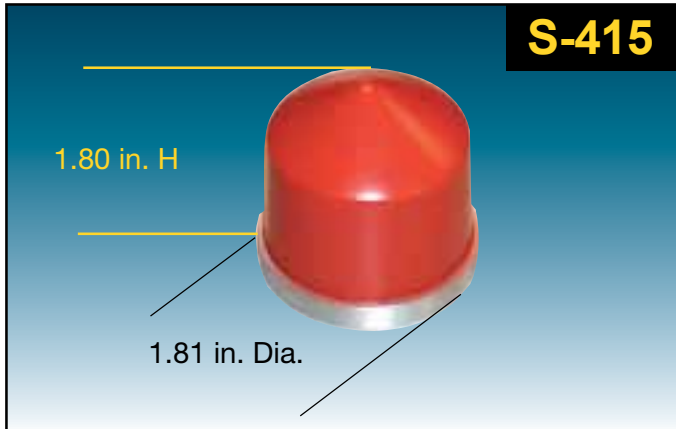


Mold: S-396 Base: Alum. Shape: "Round"  
 Base Size: 1.25 in. D Total Pad Height: 1.54 in.  
 Mounting Hole: M6

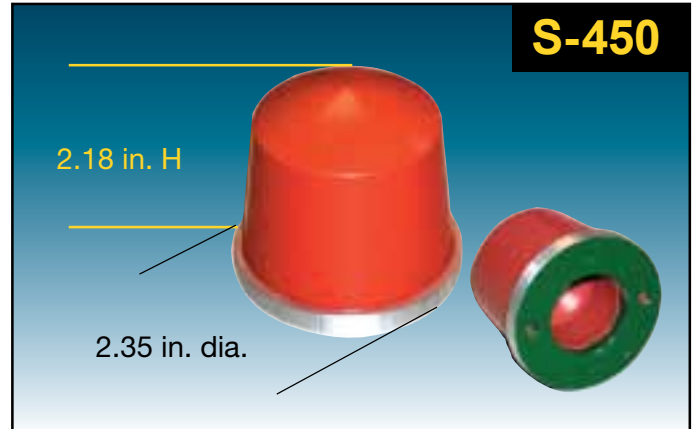


Mold: S-410 Base: Alum. Shape: "Round"  
 Base Size: 2.36 in. D Total Pad Height: 2.26 in.  
 Mounting Hole: M6

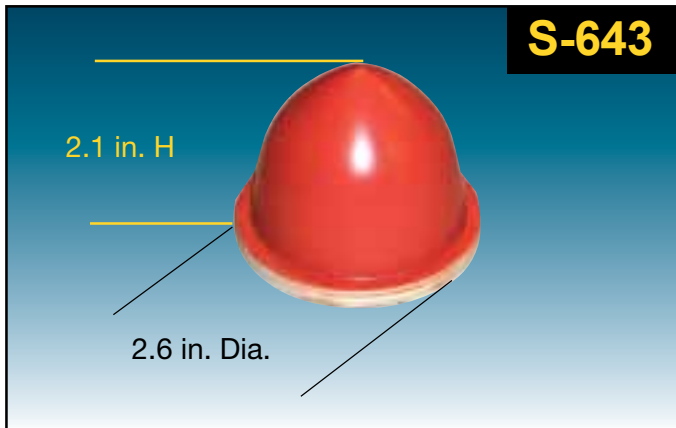




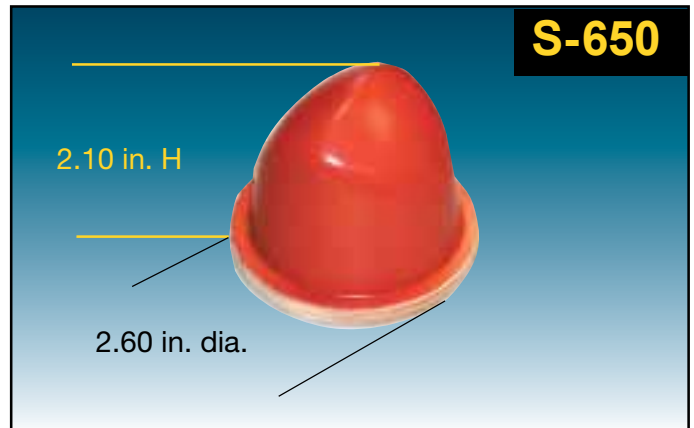
Mold: S-415 Base Alum. Shape: "Round"  
 Base Size: 1.81 in. D Total Pad Height: 1.80 in.  
 Mounting Hole: M6



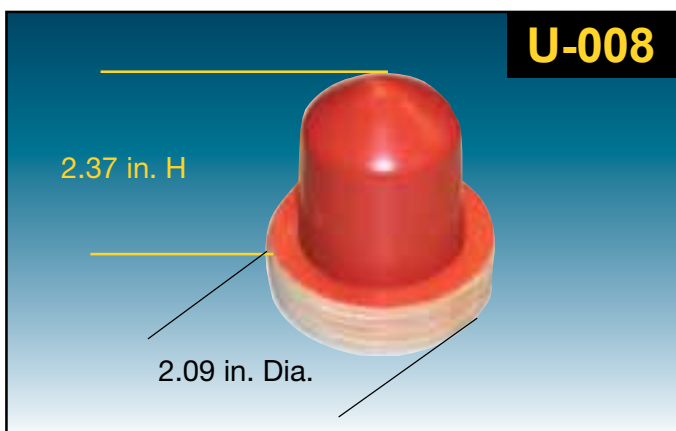
Mold: S-450 Base Alum. Shape: "Round"  
 Base Size: 2.35 in. D Total Pad Height: 2.18 in.  
 Mounting Holes: M6 (2) Note: hollow pad body



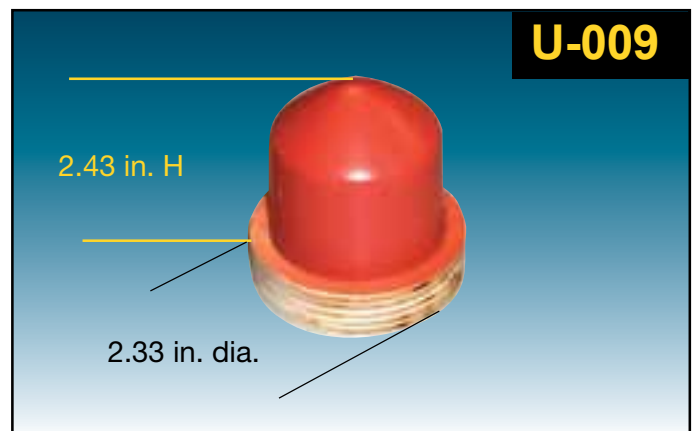
Mold: S-643 Base Ply. Shape: "Round"  
 Base Size: 2.6 in. D Total Pad Height: 2.1 in.  
 Mounting Hole: none



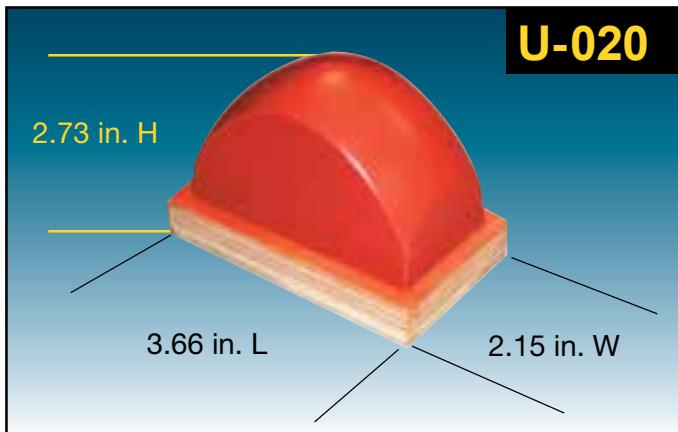
Mold: S-650 Base Ply. Shape: "Round"  
 Base Size: 2.60 in. D Total Pad Height: 2.10 in.  
 Mounting Hole: none



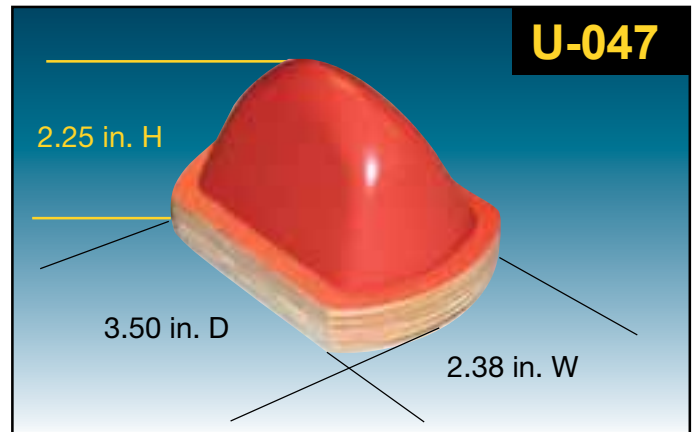
Mold: U-008 Base Ply. Shape: "Round"  
 Base Size: 2.09 in. D Total Pad Height: 2.37 in.  
 Mounting Hole: threaded 3/8-16



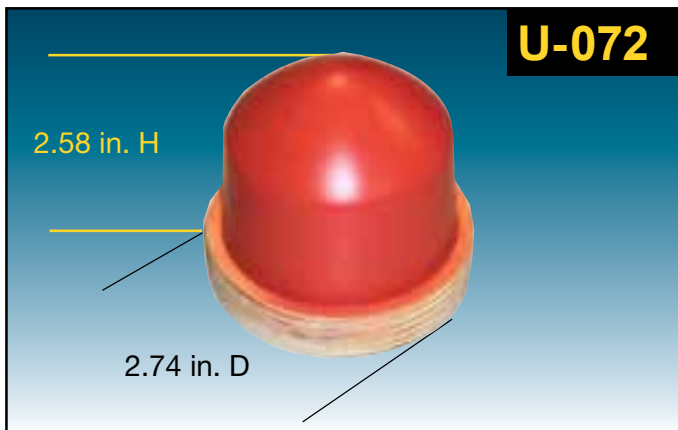
Mold: U-009 Base Ply. Shape: "Round"  
 Base Size: 2.33 in. D Total Pad Height: 2.43 in.  
 Mounting Hole: threaded 3/8-16



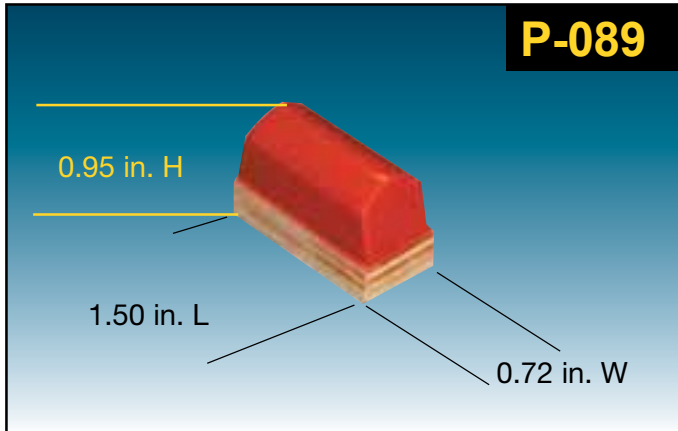
Mold: U-020 Base Ply. Shape: "Round"  
Base Size: 3.66 L x 2.15 W Total Pad Height: 2.73  
Mounting Hole: threaded 3/8-16



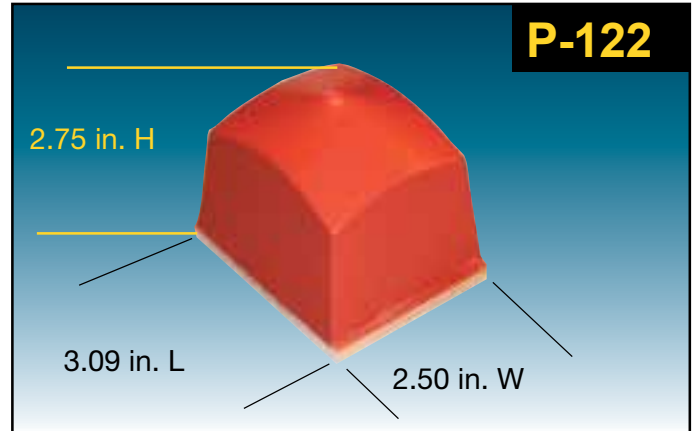
Mold: U-047 Base Ply. Shape: "Round"  
Base Size: 3.50 D x 2.38 W Total Pad Height: 2.25 in.  
Mounting Hole: threaded 29/64



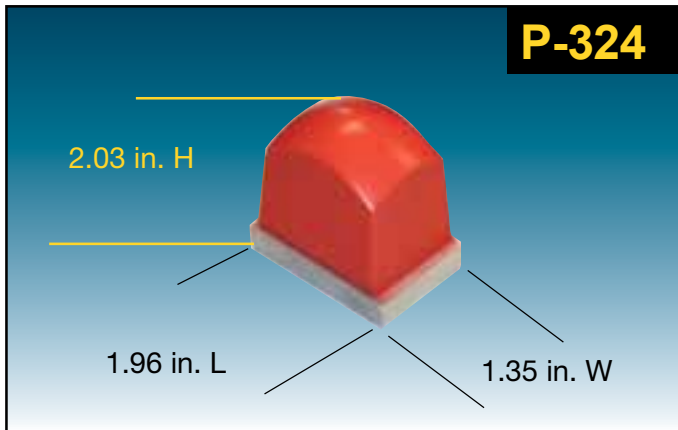
Mold: U-072 Base Ply. Shape: "Round"  
Base Size: 2.74 in. D Total Pad Height: 2.58  
Mounting Hole: threaded 3/8-16



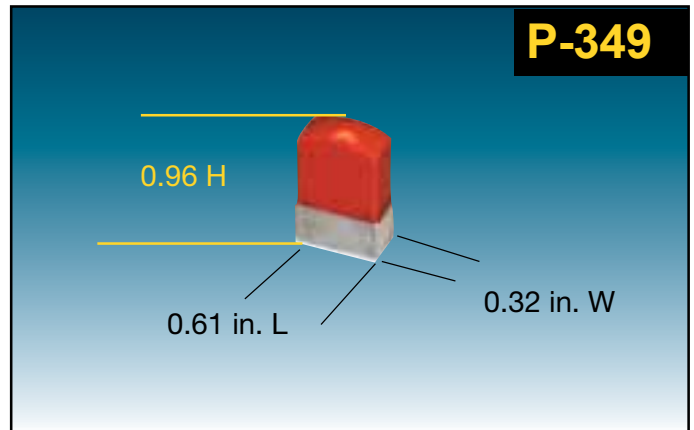
Mold: P-089 Base Ply. Shape: "Square"  
 Base Size: 1.50 L x 0.72 W Total Pad Height: 0.95  
 Mounting Hole: none



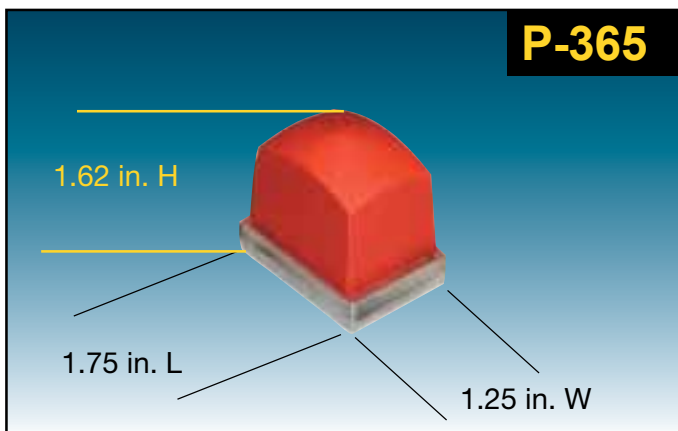
Mold: P-122 Base Ply. Shape: "Square"  
 Base Size: 3.09 L x 2.50 W Total Pad Height: 2.75  
 Mounting Hole: none



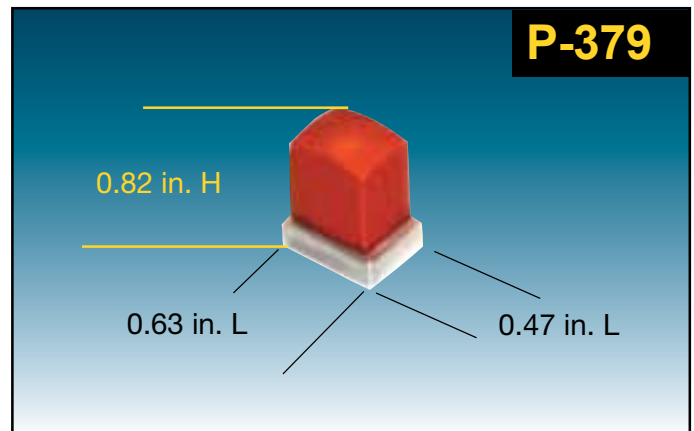
Mold: P-324 Base Alum. Shape: "Square"  
 Base Size: 1.96 L x 1.35 W Total Pad Height: 2.03  
 Mounting Hole: threaded M6



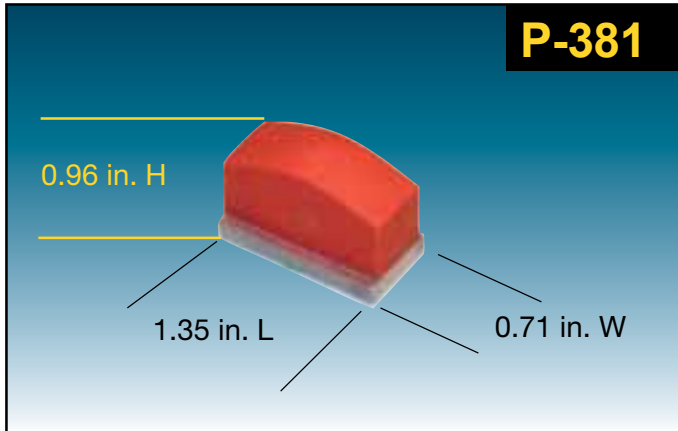
Mold: P-349 Base Alum. Shape: "Square"  
 Base Size: 0.61 L x 0.32 W Total Pad Height: 0.96  
 Mounting Hole: threaded M4



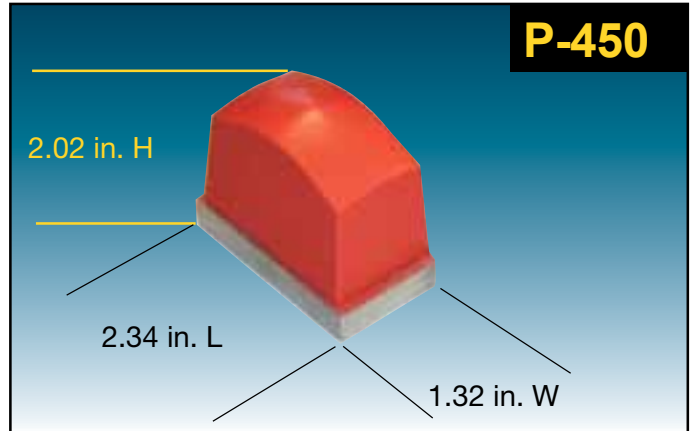
Mold: P-365 Base Alum. Shape: "Square"  
 Base Size: 1.75 L x 1.25 W Total Pad Height: 1.62  
 Mounting Hole: threaded M6



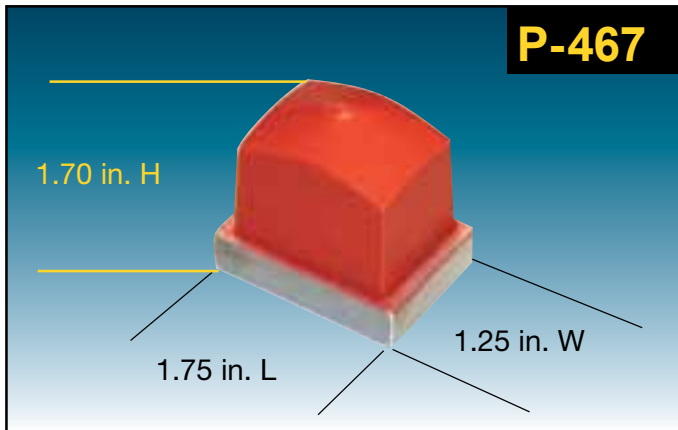
Mold: P-379 Base Alum. Shape: "Square"  
 Base Size: 0.63 L x 0.47 W Total Pad Height: 0.82  
 Mounting Hole: threaded M5



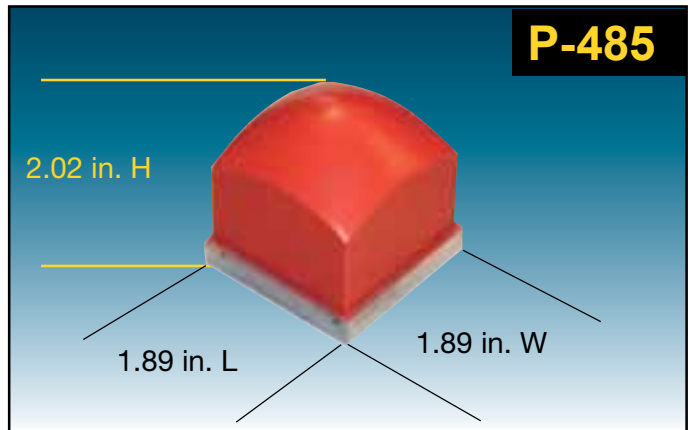
Mold: P-381 Base Alum. Shape: "Square"  
 Base Size: 1.35 L x 0.71 W Total Pad Height: 0.96  
 Mounting Hole: threaded M5



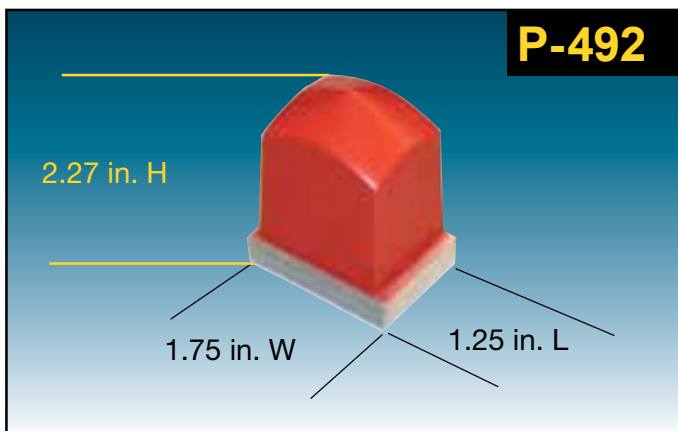
Mold: P-450 Base Alum. Shape: "Square"  
 Base Size: 2.34 L x 1.32 W Total Pad Height: 2.02 in.  
 Mounting Hole: threaded M6



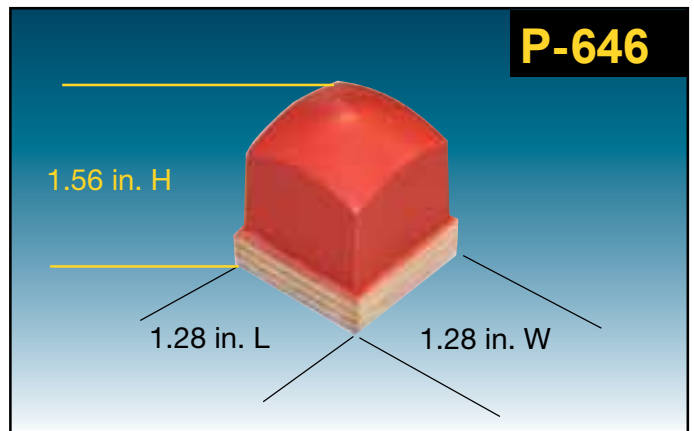
Mold: P467 Base Alum. Shape: "Square"  
 Base Size: 1.75 L x 1.25 W Total Pad Height: 1.70  
 Mounting Hole: M6



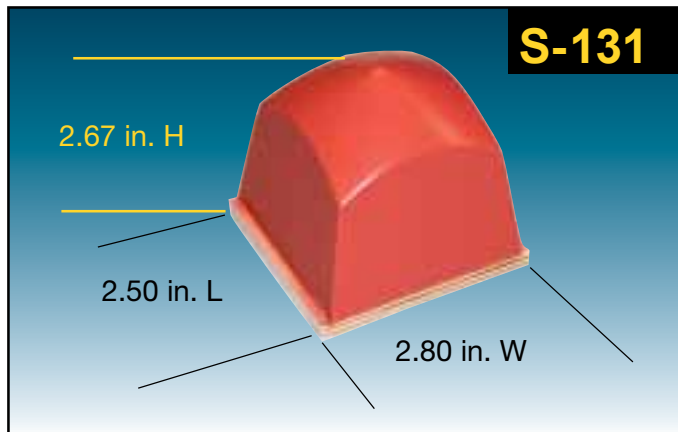
Mold: P-485 Base Alum. Shape: "Square"  
 Base Size: 1.89 L x 1.89 W Total Pad Height: 2.02 in.  
 Mounting Hole: M6



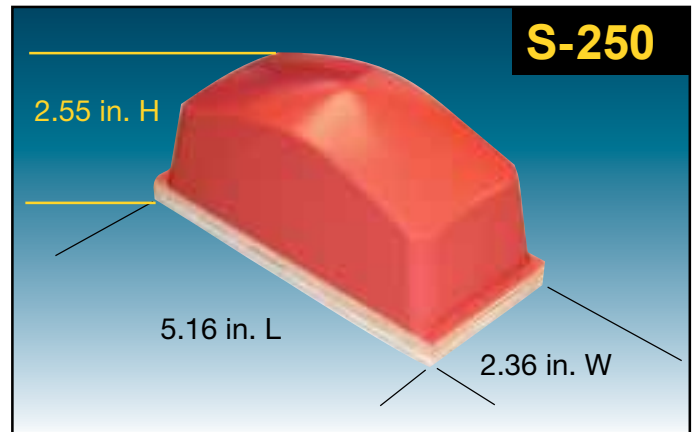
Mold: P492 Base Alum. Shape: "Square"  
 Base Size: 1.75 L x 1.25 W Total Pad Height: 2.27  
 Mounting Hole: M6



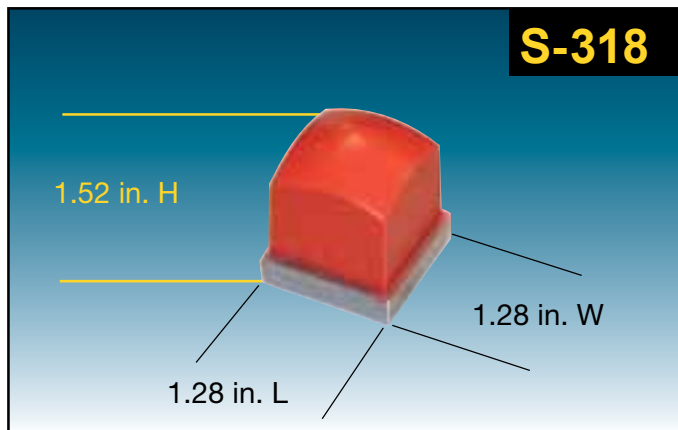
Mold: P646 Base Ply. Shape: "Square"  
 Base Size: 1.28 L x 1.28 W Total Pad Height: 1.56  
 Mounting Hole: M6



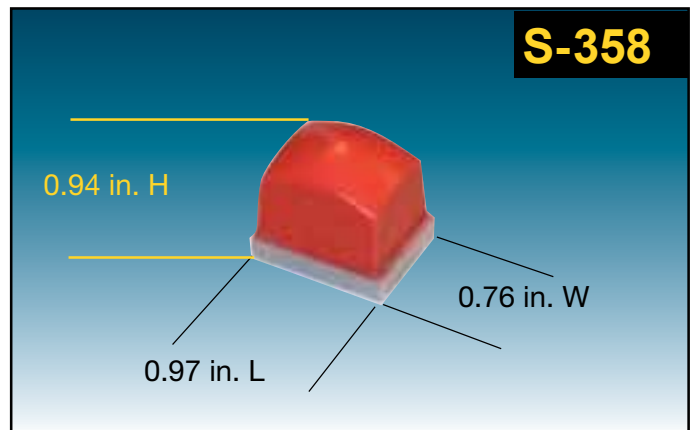
Mold: S131 Base Ply. Shape: "Square"  
 Base Size:2.50 L x 2.80 W Total Pad Height:2.67  
 Mounting Hole: none



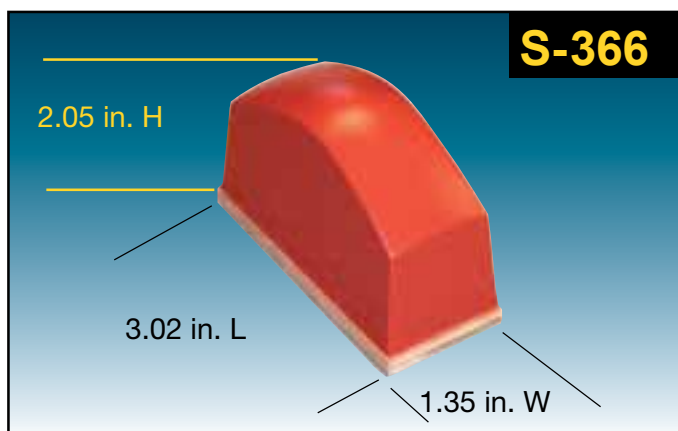
Mold: S250 Base Ply. Shape: "Square"  
 Base Size:5.16 L x 2.36 W Total Pad Height:2.55  
 Mounting Hole: none



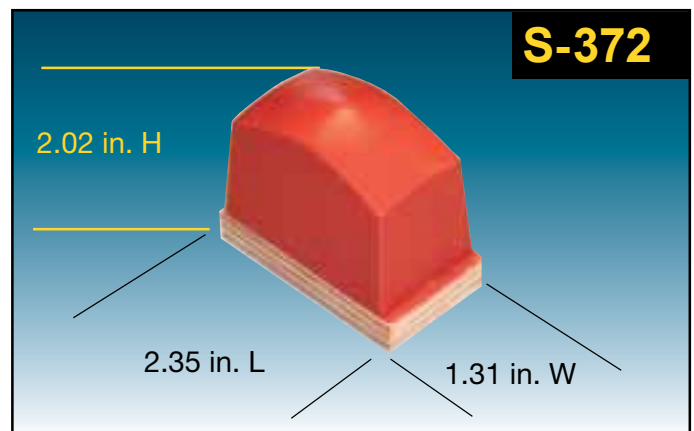
Mold: S-318 Base Alum. Shape: "Square"  
 Base Size:1.28 L x 1.28 W Total Pad Height:1.52  
 Mounting Hole: M6



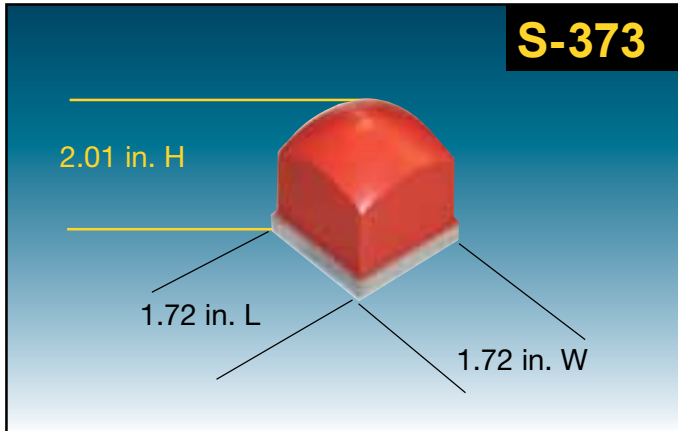
Mold: S-358 Base Alum. Shape: "Square"  
 Base Size:0.97 L x 0.76 W Total Pad Height:0.94  
 Mounting Hole: M5



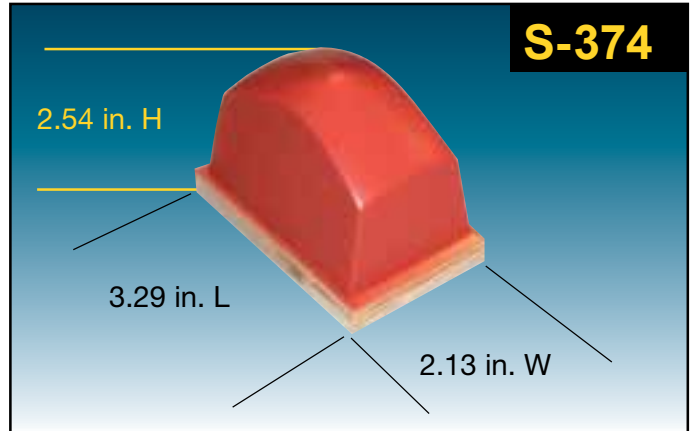
Mold: S-366 Base Ply. Shape: "Square"  
 Base Size:3.02 L x 1.35 W Total Pad Height:2.05  
 Mounting Hole: none



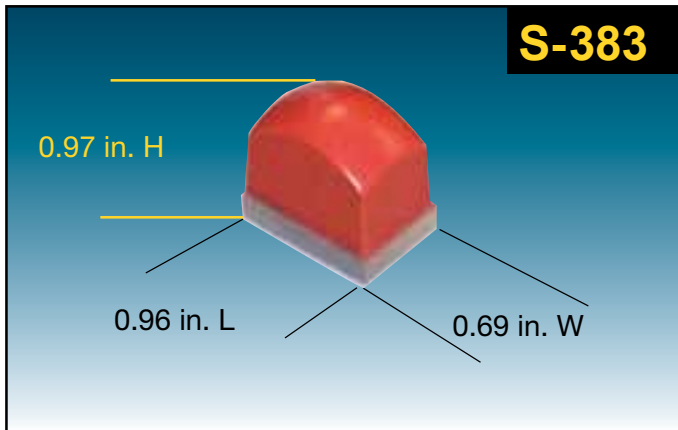
Mold: S-372 Base Ply. Shape: "Square"  
 Base Size:2.35 L x 1.31 W Total Pad Height:2.02  
 Mounting Hole: none



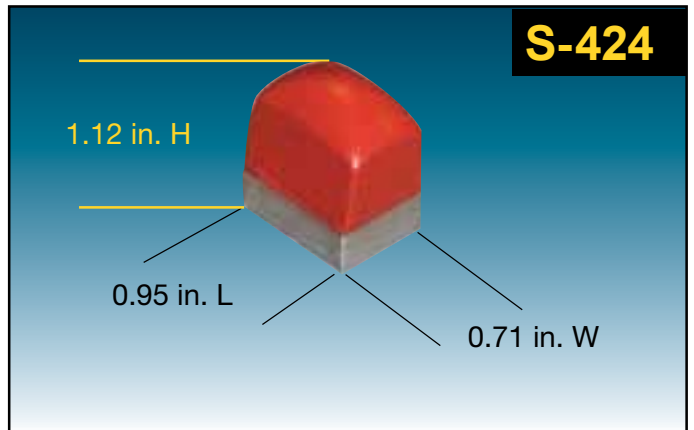
Mold: S-373 Base Alum. Shape: "Square"  
 Base Size: 1.72 L x 1.72 W Total Pad Height: 2.01  
 Mounting Hole: M6



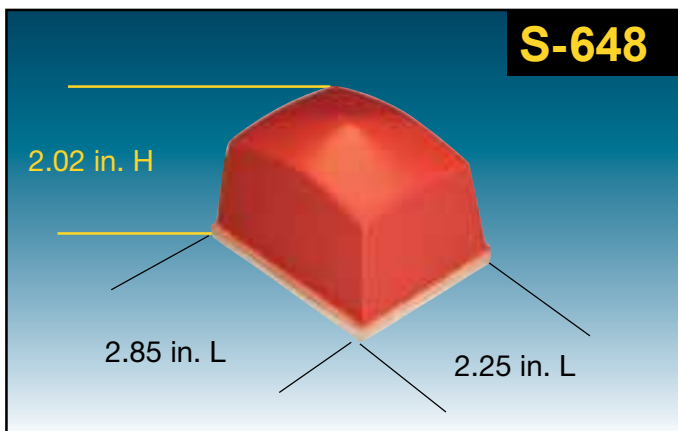
Mold: S-374 Base Ply. Shape: "Square"  
 Base Size: 3.29 L x 2.13 W Total Pad Height: 2.54  
 Mounting Hole: none



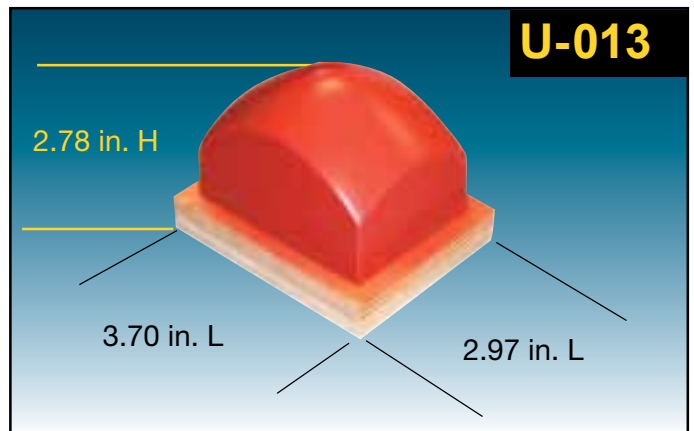
Mold: S-383 Base Alum. Shape: "Square"  
 Base Size: 0.96 L x 0.69 W Total Pad Height: 0.97  
 Mounting Hole: M5



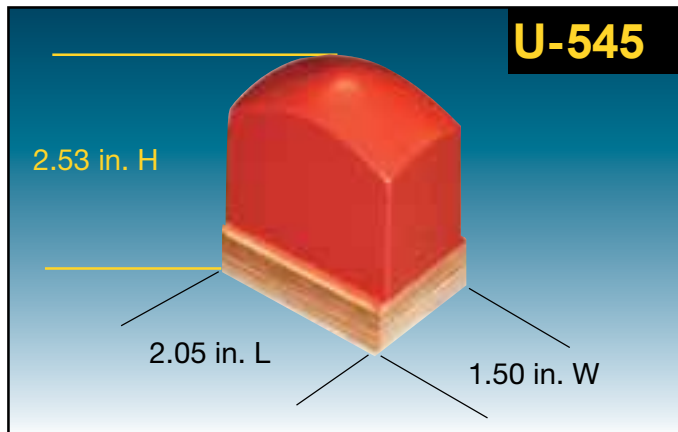
Mold: S-424 Base Alum. Shape: "Square"  
 Base Size: 0.95 L x 0.71 W Total Pad Height: 1.12  
 Mounting Hole: M5



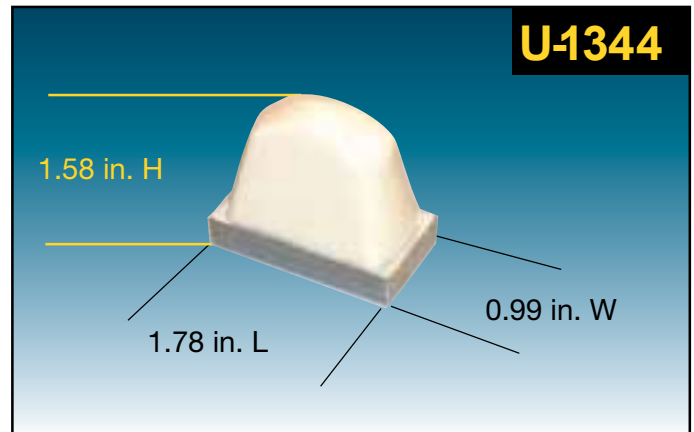
Mold: S-648 Base Ply. Shape: "Square"  
 Base Size: 2.85 L x 2.25 W Total Pad Height: 2.02  
 Mounting Hole: none



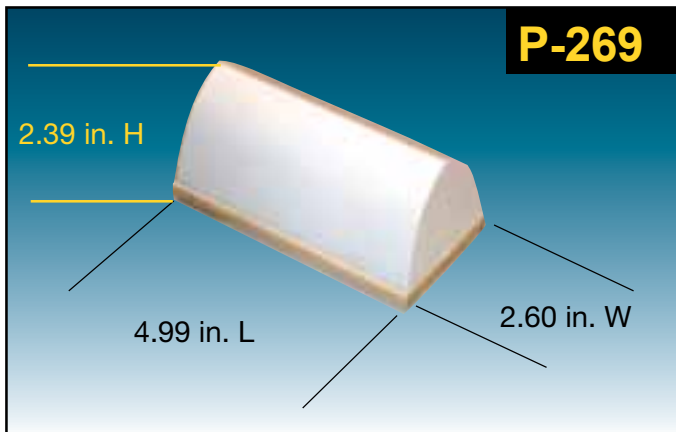
Mold: U-013 Base Ply. Shape: "Square"  
 Base Size: 3.70 L x 2.97 W Total Pad Height: 2.78  
 Mounting Hole: none



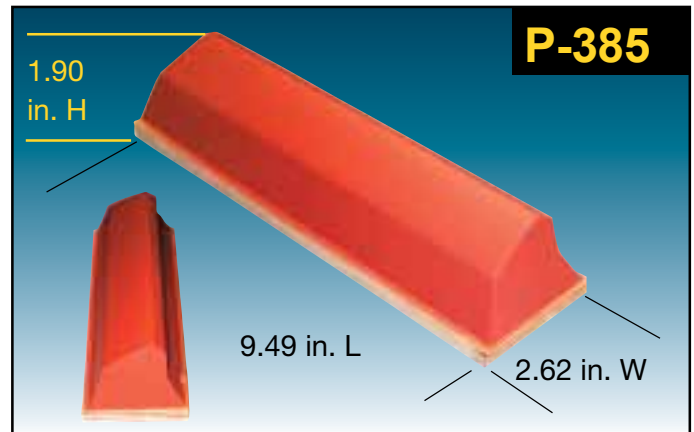
Mold: U-545 Base Ply. Shape: "Square"  
Base Size: 2.05 L x 1.50 W Total Pad Height: 2.53  
Mounting Hole: threaded 3/8-16



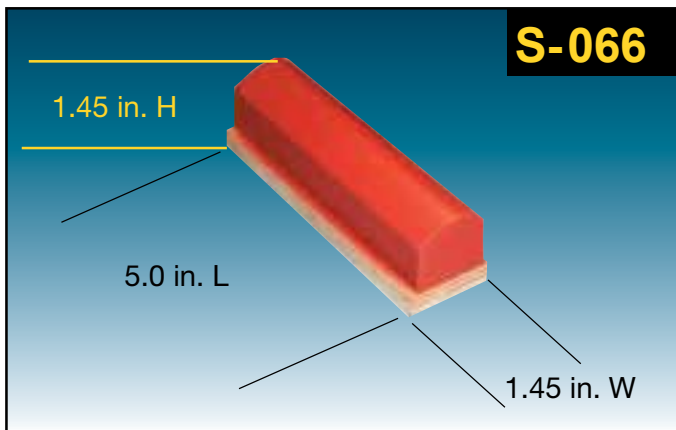
Mold: U-1344 Base Alum. Shape: "Square"  
Base Size: 1.78 L x 0.99 W Total Pad Height: 1.58  
Mounting Hole: M6



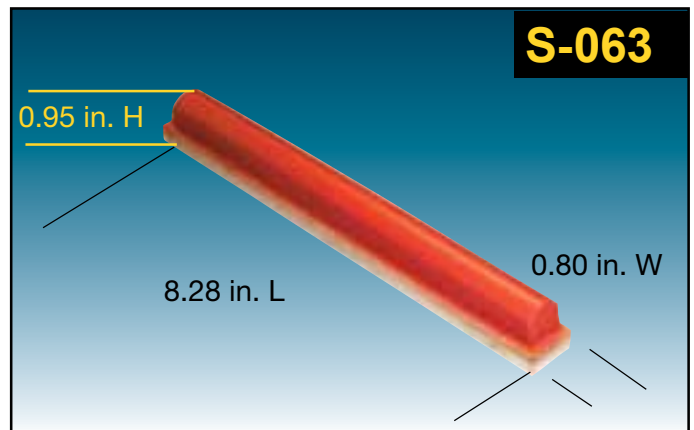
Mold: P-269 Base Ply. Shape: "Bar"  
Base Size: 4.99 L x 2.60 W Total Pad Height: 2.39  
Mounting Hole: none



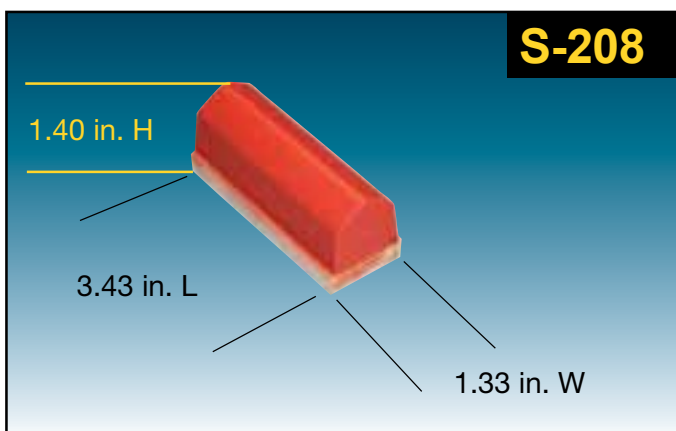
Mold: P-385 Base Ply. Shape: "Bar"  
Base Size: 9.49 L x 2.62 W Total Pad Height: 1.90  
Mounting Hole: none



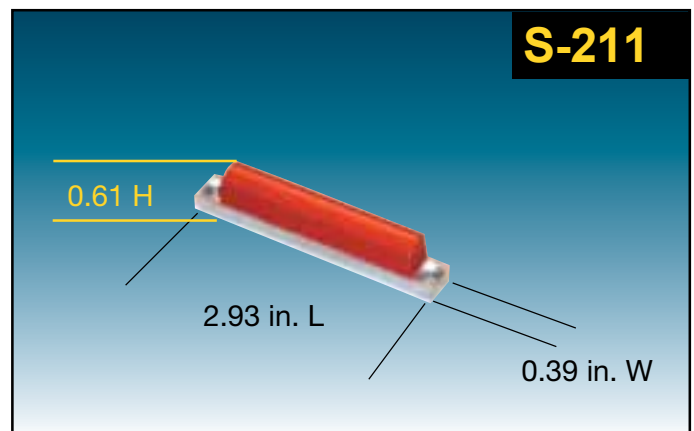
Mold: S-066 Base Ply. Shape: "Bar"  
Base Size: 5.0 L x 1.45 W Total Pad Height: 1.45  
Mounting Hole: none



Mold: P-324 Base Alum. Shape: "Square"  
Base Size: 8.28 L x 0.80 W Total Pad Height: 0.95  
Mounting Hole: none



Mold: S-208 Base Ply. Shape: "Bar"  
Base Size: 3.43 L x 1.33 W Total Pad Height: 1.40  
Mounting Hole: none



Mold: S-211 Base Alum. Shape: "Bar"  
Base Size: 2.93 L x 0.39 W Total Pad Height: 0.61  
Mounting Holes: (2) 3/16 in. dia., countersink







